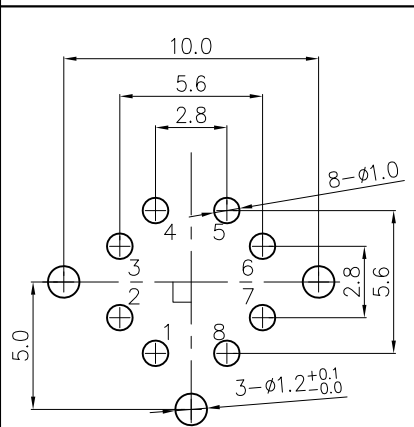
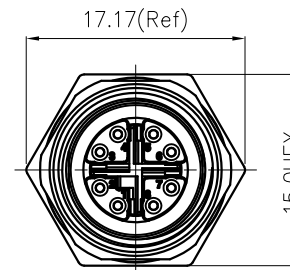
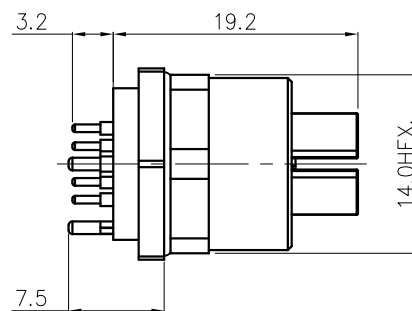
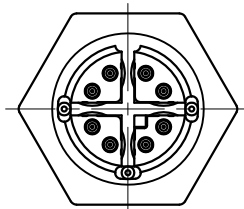
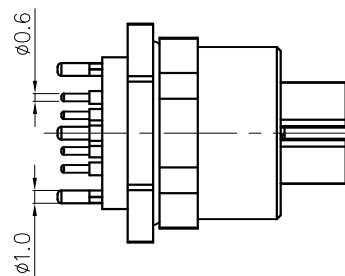


REVISION RECORD				
REV	ECN	DESCRIPTION	DRFT	DATE

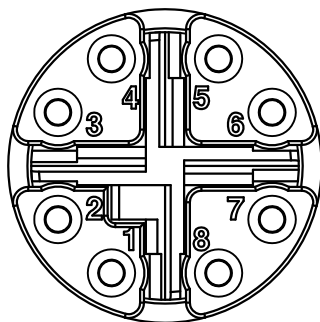


PCB Layout



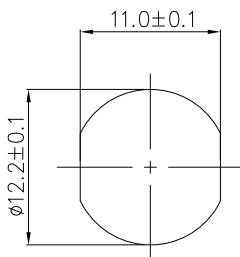
NOTES:

1. Rated voltage/current : 50Vac/60Vdc; 0.5A
2. Withstanding voltage : AC1120V/1Min
3. Levels of protection: IP67
4. Wire connection mode: soldering
5. Operating temperature: -20°C~+105°C
6. For Panel Thickness Max: 4.5mm
7. RoHS Compliance
8. Tolerance : 0.5mm


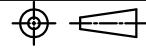


Pin Assignments
Front View

Thread specification:
M12*1.0



Panel Mounted

DETACHED LISTS	PART NO.: SPSHM12X08PFFSF700300AH		 宁波高松电子有限公司 NINGBO DEGSON ELECTRICAL CO., LTD		
	APPD:		NAME: SPSH-M12X-08P-FF-SF7003-00A(H)		
	CHKD:		DRFT: SQ 2019.05.21		
	DRFT: SQ 2019.05.21		TITLE: CUSTOMER DRAWING	REV	DO-1
	 THIRD ANGLE PROJECTION		DRAWING NO.: XXXXXXXX-XX-EXX	SHEET	1/1
		← MM (INCH) →	DO NOT SCALE DRAWING	SCALE	1:1