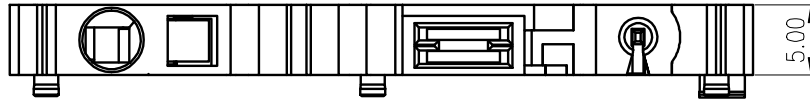
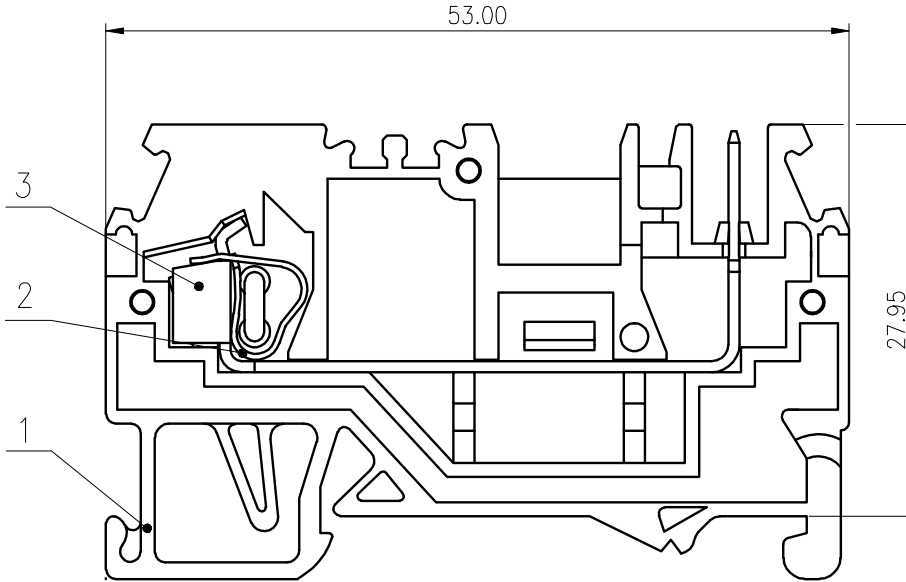


公差/General tolerances(mm)														
0	>3	>6	>10	>18	>30	>50	>80	>120	>180	>250	>315	>400	>500	0.1/10 √Z
~3	~6	~10	~18	~30	~50	~80	~120	~180	~250	~315	~400	~500	~500	
±0.12	±0.18	±0.22	±0.26	±0.31	±0.37	±0.57	±0.80	±0.93	±1.05	±1.15	±1.60	±2.20	±2.50	
UL 标准/UL Standard:											B	C	D	
额定电压/电流/Rated Voltage(V)/Current(A)											300/15	/	/	
IEC 标准/IEC Standard:														
过压类别/Overvoltage Category/污染等级/Pollution Degree											III/3	/	/	
额定电压/电流/Rated Voltage(V)/Current(A)											500/22	/	/	
额定脉冲电压(KV)/Rate Impulse Voltage(KV)											4	/	/	
线径范围(硬线和软线)/Wire Range(rigid and flexible)(mm ² /AWG)											0.2~2.5/28~14			
间距/Pitch(mm)											5.00			
剥线长度/Stripping length(mm)											9-10			
使用温度范围/Operating temperature(°C)											-40~+105			
符合RoHS环保要求/Conform to RoHS											Yes			
标准颜色编号/Standard color number:											/			
PANTONE / RAL											/			

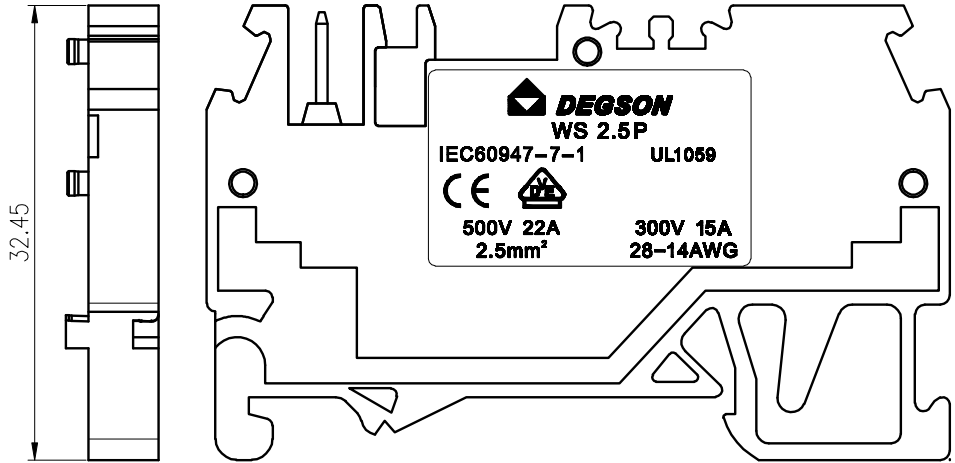
A



B



C



D

3	Current carrier	Copper	Sn Plated
2	Spring	Stainless steel	
1	Housing	PA66	UL94V-0
ITEM	NAME OF PART	MATERIAL	NOTES

REV	ECN	DESCRIPTION	DRFT	DATE
-----	-----	-------------	------	------

MATERIAL:		SURFACE:	
MAT NO.:	/	宁波高松电子有限公司 NINGBO DEGSON ELECTRICAL CO., LTD	
STATUS:	/		
APPD:	LiGL 2020.05.28		
CHKD:	MaoJ 2020.05.28	NAME: WS2.5P-01P-1Y-00A(H)	
DRFT:	ZhengQG 2020.05.27	DRAWING NO.: WS 2.5P-C01	
SIZE: A4		TYPE: CUSTOMER DRAWING	
		SCALE: 2:1	REV TO
		SHEET	1/1

1

2

3

4

5

6