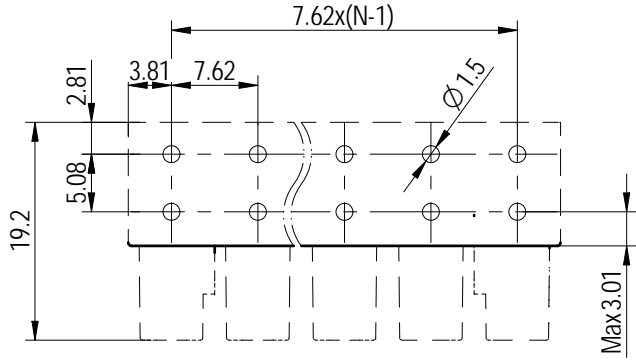
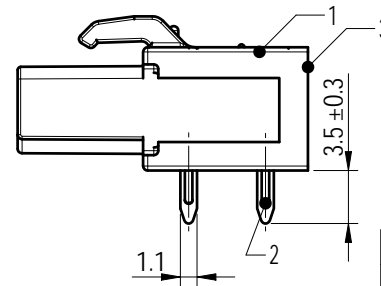
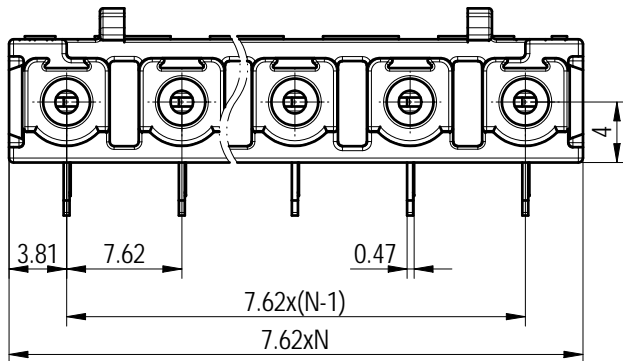
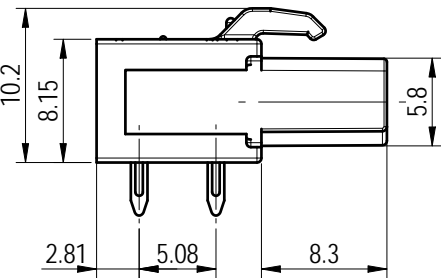
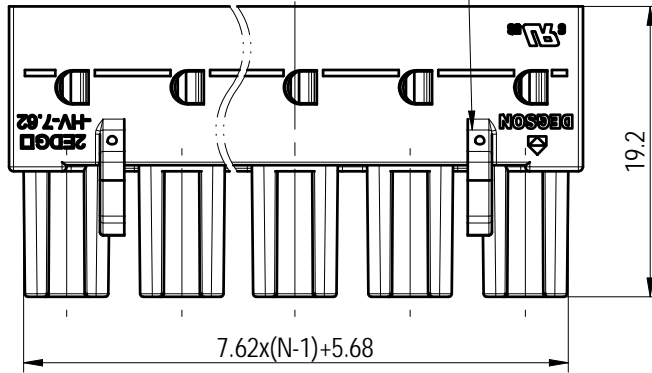


PCB LAYOUT

1.5:1

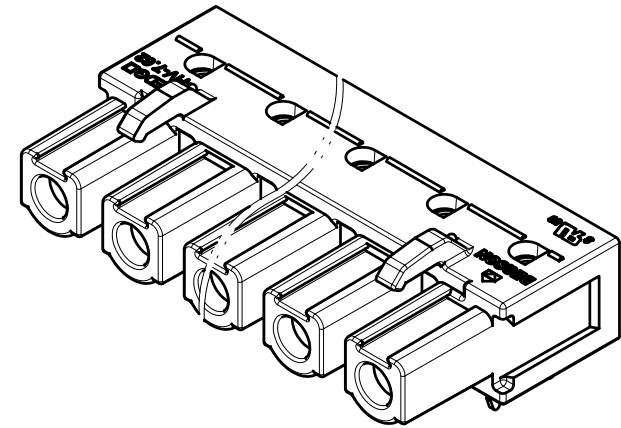


02P: Clasp on the right from this view



公差/General tolerances (mm)												0.1/10		
0	>3	>6	>10	>18	>30	>50	>80	>120	>180	>250	>315		>400	>500
±0.12	±0.18	±0.22	±0.26	±0.31	±0.37	±0.57	±0.80	±0.93	±1.05	±1.15	±1.60	±2.20	±2.50	±2'

UL 标准/UL Standard:	B	C	D
额定电压/电流/Rated Voltage(V)/Current(A)	300/15	/	300/10
IEC 标准/IEC Standard:			
过压类别/Overvoltage Category/污染等级/Pollution Degree	III/3	III/2	II/2
额定电压/电流/Rated Voltage(V)/Current(A)	500/16	630/16	1000/16
额定脉冲电压(KV)/Rate Impulse Voltage(KV)	6	6	6
间距/Pitch(mm)/线数范围/Poles	7.62/N=02~12P		
使用温度范围/Operating temperature(°C)	-40~+105		
符合RoHS环保要求/Conform to RoHS	Yes		



3	Cover	PA66	UL94V-0
2	Pin header	Copper alloy	Sn Plated
1	Housing	PA66	UL94V-0
ITEM	NAME OF PART	MATERIAL	NOTES

		MATERIAL:	SURFACE/COLOR:		
		MAT NO./REV: - / 00	MAT STATUS: 设计放行		
APPD: 兰春华	2023.10.30	NAME			
CHKD: 龚耀志	2023.10.30	2EDGA-HV-7.62-XXP-1Y-00Z (H)			
DRFT: 周锡锦	2023.10.30	DRAWING NO.	TYPE	DRAWING STATUS	SCALE
		200201412	CUSTOMER DRAWING	work	2:1
				SHEET	1/1

00			周锡锦	2023.10.30
REV	ECN	DESCRIPTION	DRFT	DATE

Transfer or duplication of this document as well as the utilization or communication of its content are prohibited unless authorized in writing by DEGSON. All rights reserved for patent. 未经授权，不得复制或传播本文件内容。未经书面许可，不得复制或传播本文件内容。本公司保留对本文件的所有权利。