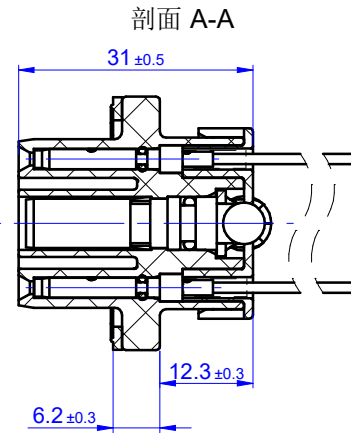
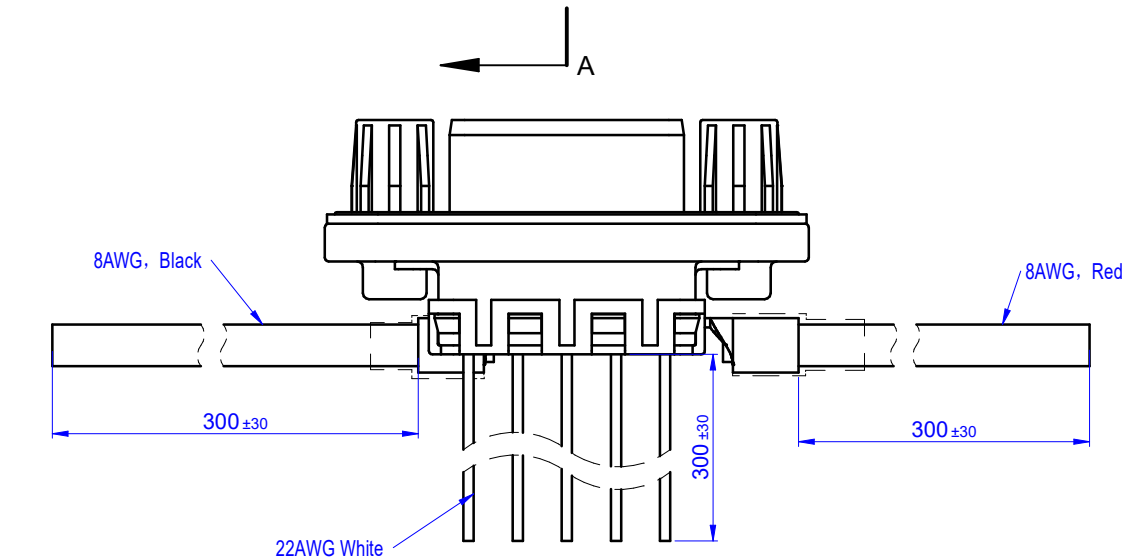
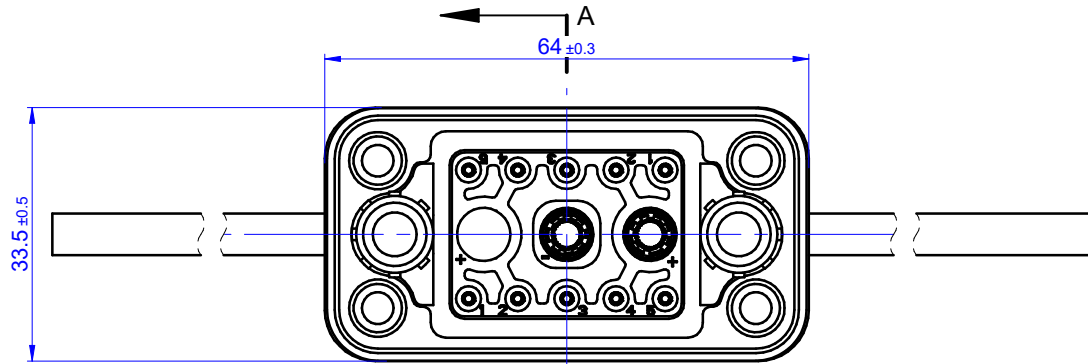


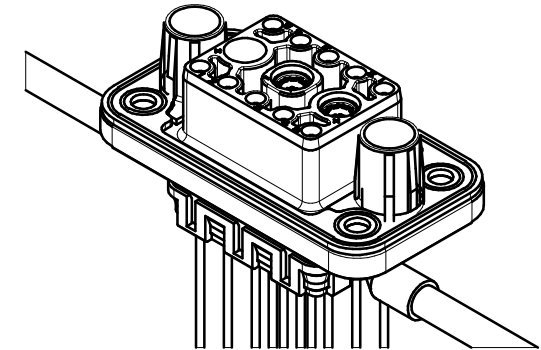
Transfer or duplication of this document as well as the utilization or communication of its contents for purposes not intended by the manufacturer is prohibited. All rights reserved for patent, utility model or designs registrations. 非经书面明确授权，否则禁止转让、复制、利用、或对本文件的内容。一经发现侵权，本公司保留对侵权者追究法律责任的所有权利。



尺寸公差(mm)					线束长度尺寸公差(mm)				0.05/10 ±1°
0 ~ 30	>30 ~ 60	>60 ~ 100	>100 ~ 150	>150	0 ~ 5000	5000 ~ 10000	10000 ~ 30000	>30000	
±0.20	±0.30	±0.50	±0.70	±1.00	±50	±100	±200	±500	

Technical requirements:	
Rated Voltage/Current	72VDC/60A
Insulation resistance	≥500MΩ
Mechanical working life	5000
Withstanding voltage	1500V AC
Key controlled symbol	*
Operating temperature(° C)	-40~+105
Levels of protection	IPX7 (When single)
Terminal	Crimping
Wire range	8AWG/22AWG

P-	8AWG, Black
P+	8AWG, Red
5	22AWG
4	22AWG
3	22AWG
2	22AWG
1	22AWG
Conn1	Spec.
Pin out	



		MATERIAL: 材质	SURFACE: 表面处理		
		MAT NO./REV: 物料编码 / 版本	MAT STATUS: 物料状态		
APPD:		NAME			
CHKD: Eric		RA-EBBF-2010-F-L300-00A (H)			
DRFT: 靳春		DRAWING NO.	TYPE	DRAWING STATUS	SCALE
		图号	图纸类型	图纸状态	1:1.25
					SHEET 1/1

图纸版本	ECN	变更描述	设计人	设计日期
REV	ECN	DESCRIPTION	DRFT	DATE