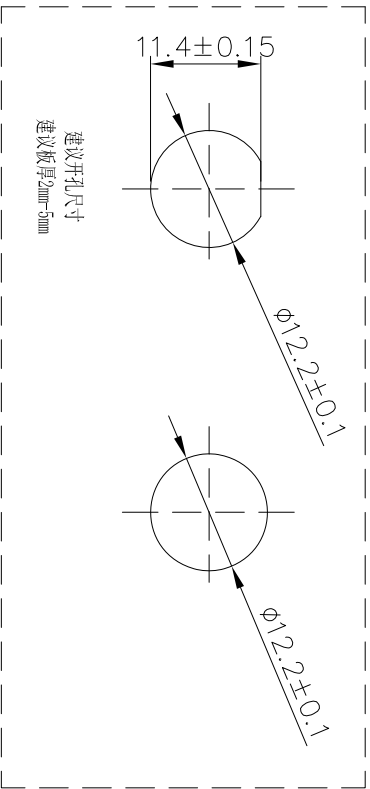


Dimensional tolerance(mm)	Length tolerance(mm)	$\frac{\Delta}{\text{mm}}$
0	>5000	0.10/10
~	~	~
30	>5000	~
~	~	~
60	10000	~
~	~	~
100	10000	~
~	~	~
150	30000	~
~	~	~
5000	10000	~
~	~	~
5000	30000	~
~	~	~
±0.25	±0.35	±0.80
~	~	~
±1.10	±1.10	±505
~	~	~
±55	±105	±205
~	~	~
±505	±505	±505
~	~	~
II	II	II
~	~	~
II	II	II
~	~	~
CAT III	CAT III	CAT III
~	~	~
1500VDC/40A	1500VDC/40A	1500VDC/40A
~	~	~
≤0.4mΩ	≤0.4mΩ	≤0.4mΩ
~	~	~
500V AC	500V AC	500V AC
~	~	~
-40℃~+85℃	-40℃~+85℃	-40℃~+85℃
~	~	~
IP68 (1m,24h)/IP65	IP68 (1m,24h)/IP65	IP68 (1m,24h)/IP65
~	~	~
IP2X	IP2X	IP2X
~	~	~
压接	压接	压接
~	~	~
2.5~6mm <sup>2</sup>	2.5~6mm <sup>2</sup>	2.5~6mm <sup>2</sup>



MATERIAL:  
MATERIAL NO.:

SURFACE COLOR:  
MATERIAL STATUS:

序号/Item	名称/Description	数量/ QTY
⑤	螺母/Screw	1
④	平垫圈/Flat	1
③	O形圈/O-Ring	1
②	塑胶外壳/HSG	1
①	母针/Terminal	1

REV	EON	DESCRIPTION	DRAFT	DATE	DRW	MP Cno	23/12/06	DRAWING NO.	PI-DC-MF-PSC-01P-40A-8-002H	DRAWING STATUS	SCALE
DRW	MP Cno	23/12/06	DRAWING NO.	PI-DC-MF-PSC-01P-40A-8-002H	DRAWING STATUS	SCALE					