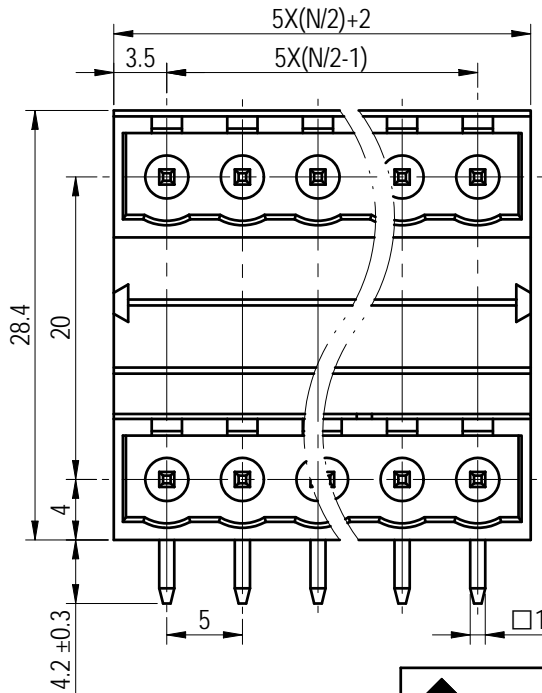
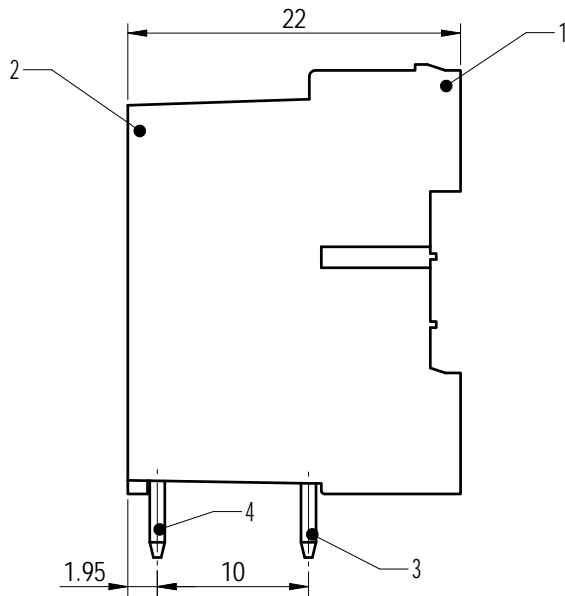
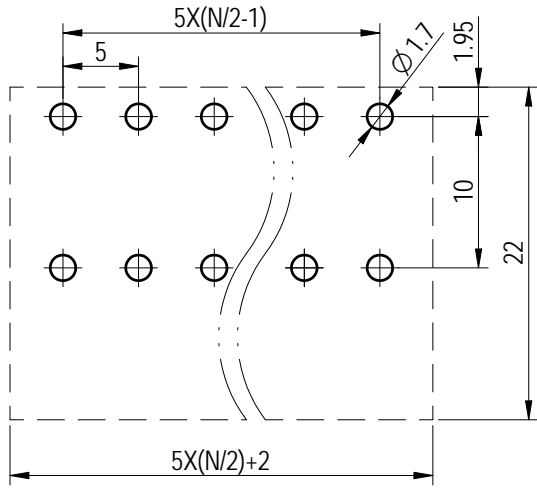
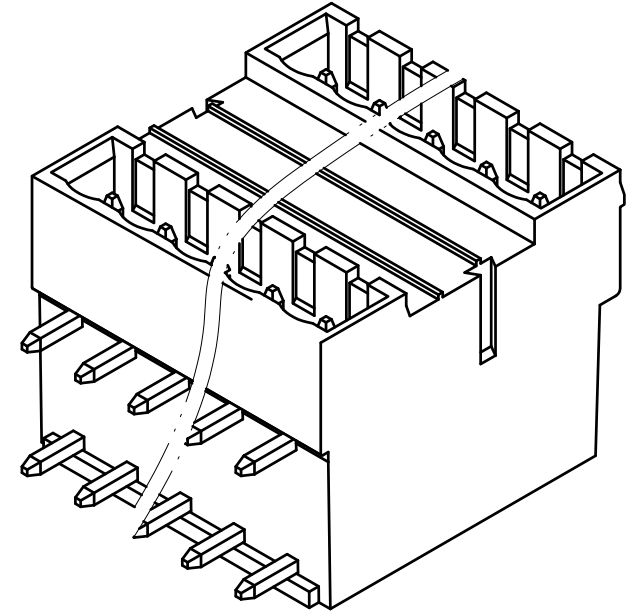


PCB LAYOUT



未注公差/General tolerances (mm)													0.1/10
0	>3	>6	>10	>18	>30	>50	>80	>120	>180	>250	>315	>400	
~3	~6	~10	~18	~30	~50	~80	~120	~180	~250	~315	~400	~500	>500
±0.12	±0.18	±0.22	±0.26	±0.31	±0.37	±0.57	±0.80	±0.93	±1.05	±1.15	±1.60	±2.20	±2.50



Note:  
The A&Z(H) in the name means: A(H) and Z(H).

ITEM	NAME OF PART	MATERIAL	NOTES
4	Pin2	Copper	Sn plated
3	Pin1	Copper	Sn plated
2	Cover	PA66	UL94V-0
1	Housing	PA66	UL94V-0

UL 标准/UL Standard:	B	C	D
额定电压/电流/Rated Voltage(V)/Current(A)	300/15	/	300/10
IEC 标准/IEC Standard:			
过压类别/Overvoltage Category/污染等级/Pollution Degree	III/3	III/2	II/2
额定电压/电流/Rated Voltage(V)/Current(A)	/	320/10	/
额定脉冲电压(KV)/Rate Impulse Voltage(KV)	/	4	/
间距/Pitch(mm)/线数范围/Poles	5.0/N=04~48P		
使用温度范围/Operating temperature(°C)	-40~+105		
符合RoHS环保要求/Conform to RoHS	Yes		
标准颜色编号/Standard color number: PANTONE / RAL	/		



APPD: 兰春华	2023.02.14
CHKD: 龚耀志	2023.02.13
DRFT: 方哲盛	2023.02.13

MATERIAL:	SURFACE/COLOR:		
MAT NO./REV: - / 00	MAT STATUS: 批量		
NAME	2EDGRH-5.0-XXP-1Y-00A&Z(H)		
DRAWING NO. 200019765	TYPE CUSTOMER DRAWING	DRAWING STATUS 已发布	SCALE 2:1
		SHEET 1/1	

REV	ECN	DESCRIPTION	DRFT	DATE
00			方哲盛	2023.02.13

Transfer or duplication of this document as well as the utilization or communication of its content are prohibited unless authorized in writing by Degson. All rights reserved for patent. 除专利声明外，其他内容均受法律保护。未经许可，不得复制或传播。本公司保留对涉及发明、实用新型及外观设计的所有权利。