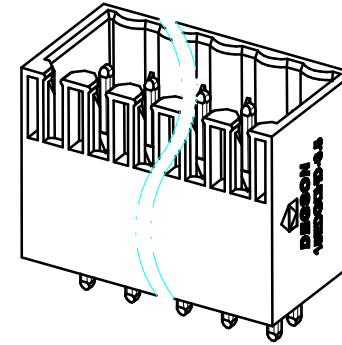
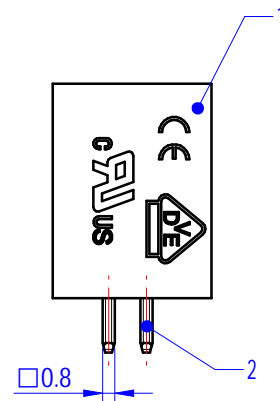
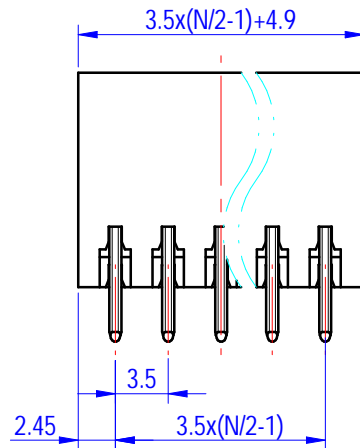
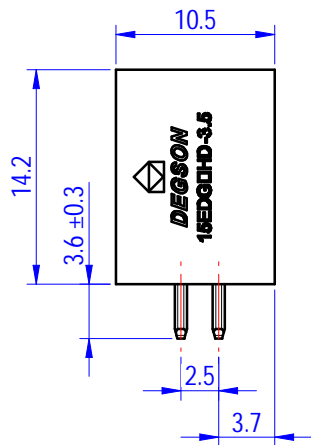
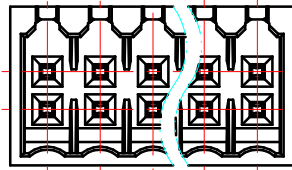
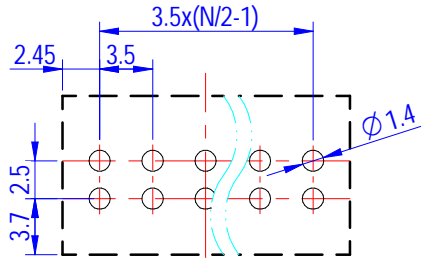


PCB LAYOUT



未注公差/General tolerances (mm)												0.1/10 ±2'		
0 ~ 3	>3 ~ 6	>6 ~ 10	>10 ~ 18	>18 ~ 30	>30 ~ 50	>50 ~ 80	>80 ~ 120	>120 ~ 180	>180 ~ 250	>250 ~ 315	>315 ~ 400		>400 ~ 500	>500
±0.12	±0.18	±0.22	±0.26	±0.31	±0.37	±0.57	±0.80	±0.93	±1.05	±1.15	±1.60	±2.20	±2.50	

ITEM	NAME OF PART	MATERIAL	NOTES
2	Pin	Copper	Sn Plated
1	Housing	PA66	UL94V-0

UL 标准/UL Standard:	B	C	D
额定电压/电流/Rated Voltage(V)/ Current(A)	150/10	50/10	/
IEC 标准/IEC Standard:			
过压类别/Ovenvoltage Category/污染等级/Pollution Degree	III/3	III/2	II/2
额定电压/电流/Rated Voltage(V)/ Current(A)	80/10	125/10	200/10
额定脉冲电压(KV)/ Rate Impulse Voltage(KV)	2.5	2.5	2.5
间距/Pitch(mm)/线数范围/Poles	3.5/N= 04~ 48P		
使用温度范围/Operating temperature(°C)	-40~ +105		
符合RoHS环保要求/Conform to RoHS	Yes		

APPD: 兰春华	2023.09.22
CHKD: 龚耀志	2023.09.20
DRFT: 刘强	2023.09.20

MATERIAL:		SURFACE/COLOR:	
MAT NO./REV:		MAT STATUS: 批量	
NAME			
15EDGVHD-3.5-XXP-14-00A&Z (H)			
DRAWING NO.	TYPE	DRAWING STATUS	SCALE
200029733	CUSTOMER DRAWING	被替代	2:1
SHEET		1/1	

REV	ECN	DESCRIPTION	DRFT	DATE
02		Add a Mark for VDE certification	刘强	2023.09.20

Transfer or duplication of this document as well as the utilization or communication of its contents are prohibited unless authorized in general. Violations will be liable for compensation. All rights reserved for patent. Utility model or design registrations. 除专利注明情况外，否则禁止上述、复制、印刷、充诸本文件的存储、使用、复制或向任何第三方提供。 保留所有权利。 侵权必究。 侵权必究。