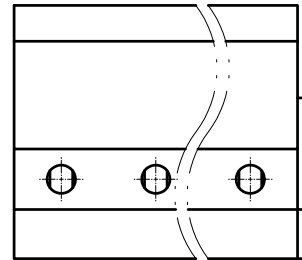
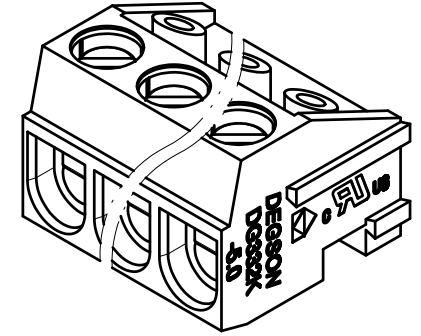
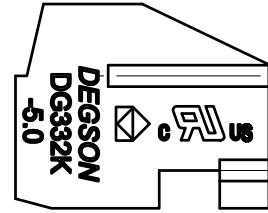
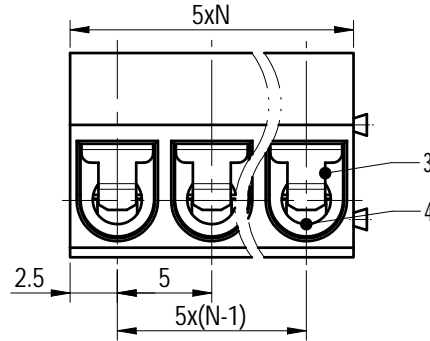
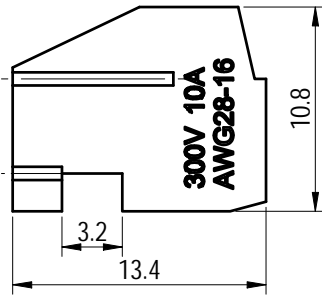
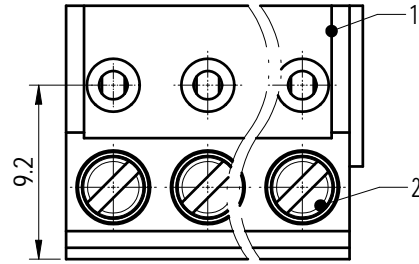


Transfer or duplication of this document as well as the utilization or communication of its contents are prohibited unless authorized in writing. All rights reserved for patent, utility model or design registrations. 除专利权明确标注外, 否则禁止非法、复制、引用、分发本文件的任何内容。 未经本公司书面许可, 任何复制或传播本文件内容均属于侵权行为。 保留所有权利。

未注公差/General tolerances (mm)													0.1/10 ±2'
0	>3	>6	>10	>18	>30	>50	>80	>120	>180	>250	>315	>400	
~3	~6	~10	~18	~30	~50	~80	~120	~180	~250	~315	~400	~500	>500
±0.12	±0.18	±0.22	±0.26	±0.31	±0.37	±0.57	±0.80	±0.93	±1.05	±1.15	±1.60	±2.20	±2.50

UL 标准/UL Standard:	B	C	D
额定电压/电流/Rated Voltage(V)/Current(A)	300/10	/	/
IEC 标准/IEC Standard:			
过压类别/Overvoltage Category/污染等级/Pollution Degree	III/3	III/2	II/2
额定电压/电流/Rated Voltage(V)/Current(A)	/	250/12	/
工频耐压/Withstanding Voltage(V/1Min)	AC2000		
螺丝扭矩/Torque Tightening(N·m/Lb.in)	M2.5,0.4/3.54		
线径范围(硬线和软线)/Wire Range(rigid and flexible)(AWG/mm²)	28~16/ 0.2~1.5		
间距/Pitch(mm)/线数范围/Poles	5.0/N=02~24P		
剥线长度/Stripping length(mm)	5~6		
使用温度范围/Operating temperature(°C)	-30~+120		
符合RoHS环保要求/Conform to RoHS	Yes		



Note:  
The A&Z(H) in the name means: A(H) and Z(H).

ITEM	NAME OF PART	MATERIAL	NOTES
4	Cage	Copper alloy	M2.5/Ni Plated
3	Clamp	Copper alloy	Ni Plated
2	Screw	Steel	M2.5/Zn Plated
1	Housing	PBT	UL94V-0

		MATERIAL: /	SURFACE/COLOR: /							
APPD: 兰春华 2022.11.28		MAT NO./REV: - / 00	MAT STATUS: 批量							
CHKD: 陈招 2022.11.28		NAME								
DRFT: 柳学龙 2022.11.28		DG332K-5.0-XXP-1Y-00A&Z(H)								
00	REV	ECN	DESCRIPTION	DRFT	DATE	DRAWING NO.	TYPE	DRAWING STATUS	SCALE	SHEET
				柳学龙	2022.11.28	200025411	CUSTOMER DRAWING	已发布	2.5:1	1/1

00	REV	ECN	DESCRIPTION	DRFT	DATE	DRAWING NO.	TYPE	DRAWING STATUS	SCALE	SHEET
				柳学龙	2022.11.28	200025411	CUSTOMER DRAWING	已发布	2.5:1	1/1