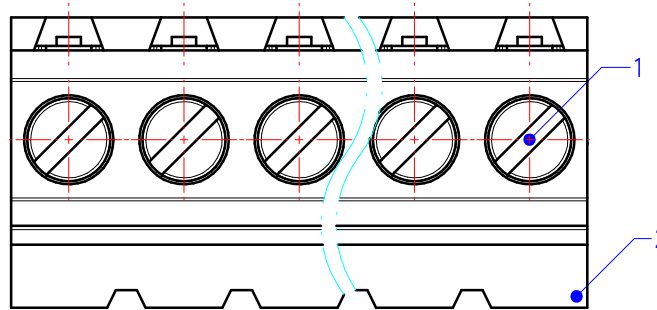
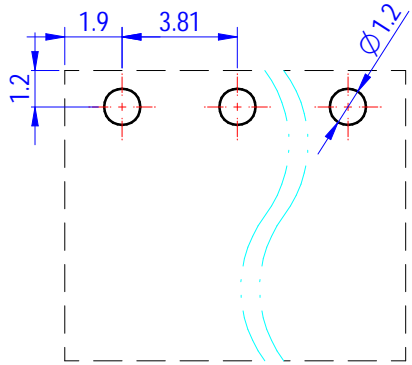


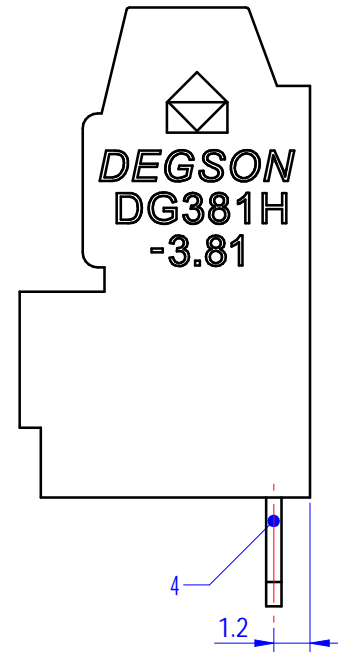
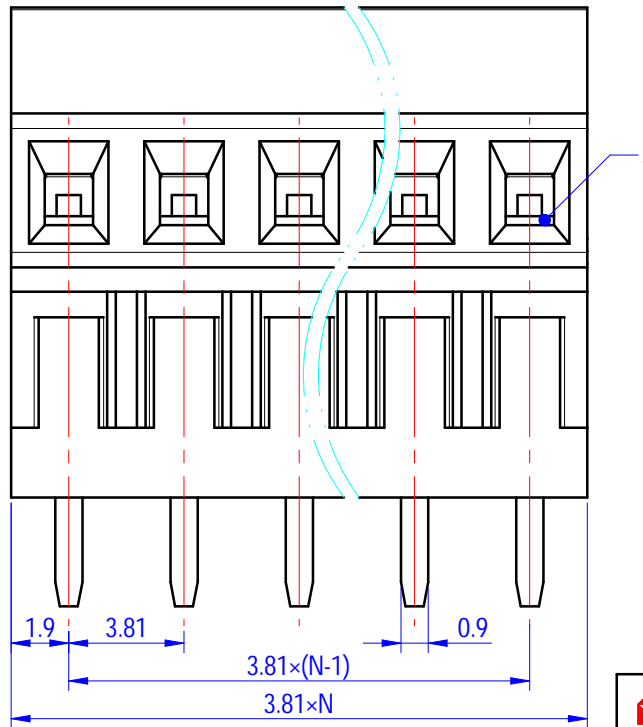
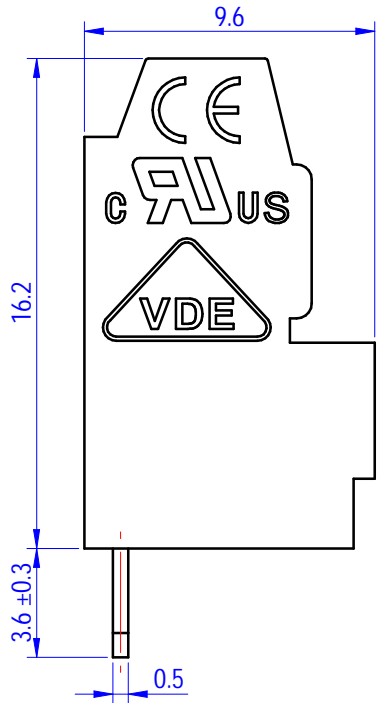
PCB LAYOUT



未注公差/General tolerances (mm)													0.1/10 ±2'
0	>3	>6	>10	>18	>30	>50	>80	>120	>180	>250	>315	>400	
~3	~6	~10	~18	~30	~50	~80	~120	~180	~250	~315	~400	~500	>500
±0.12	±0.18	±0.22	±0.26	±0.31	±0.37	±0.57	±0.80	±0.93	±1.05	±1.15	±1.60	±2.20	±2.50

UL 标准/UL Standard:	B	C	D
额定电压/电流/Rated Voltage(V)/Current(A)	150/10	/	/
IEC 标准/IEC Standard:			
过压类别/Overvoltage Category/污染等级/Pollution Degree	III/3	III/2	II/2
额定电压/电流/Rated Voltage(V)/Current(A)	/	130/10	/
工频耐压/Withstanding voltage(V 1Mn)	AC2000		
螺丝扭矩/Torque Tightening(N·m/Lb.in)	M2, 0.2/1.73		
线径范围(硬线和软线)/Wire Range(rigid and flexible)(AWG mm²)	26~ 16/ 1.0		
间距/Pitch(mm)/线数范围/Poles	3.81/N= 02~ 16P		
剥线长度/Stripping length (mm)	5~ 6		
使用温度范围/Operating temperature(°C)	-40~ + 105		
符合 RoHS 环保要求/Conform to RoHS	Yes		

ITEM	NAME OF PART	MATERIAL	NOTES
4	Pin header	Copper	Sn plated
3	Cage	Copper alloy	M2/Ni plated
2	Housing	PA66	UL94V-0
1	Screw	Steel	M2/Zn plated



		MATERIAL:	SURFACE/COLOR:		
		MAT NO./REV:	/ 00		MAT STATUS: 批量
APPD: 兰春华	2024.05.16	NAME			
CHKD: 陈招	2024.05.15	DG381H-3.81-XXP-1Y-00A&Z (H)			
DRFT: 唐本恒	2024.05.15	DRAWING NO.	TYPE	DRAWING STATUS	SCALE
		200029201	CUSTOMER DRAWING	已发布	5:1
				SHEET	1/1

REV	ECN	DESCRIPTION	DRFT	DATE
01		1x 修改PCB板孔径及俯视图图案	唐本恒	2024.05.15

Transfer or duplication of this document as well as the utilization or communication of its contents are prohibited unless authorized in general. Withdrawals will be notified for components. All rights reserved for patent. 除专利申明外，其他内容均受法律保护。未经授权，禁止复制或传播。本公司保留对专利的所有权利。