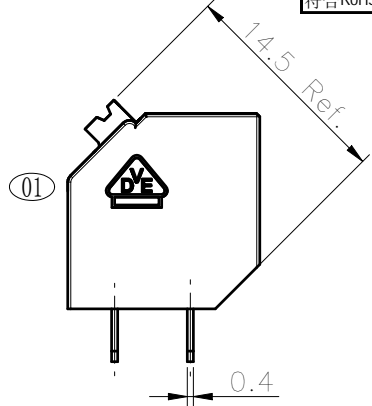
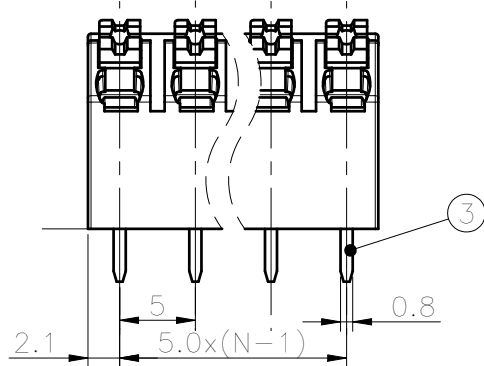
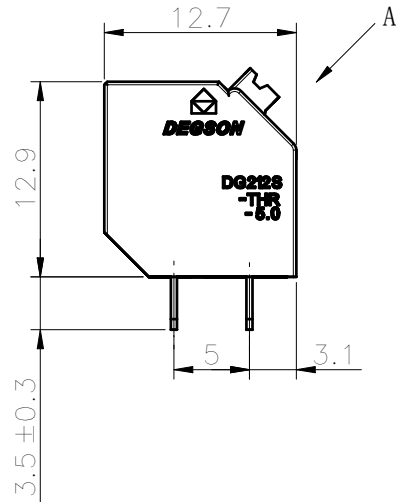
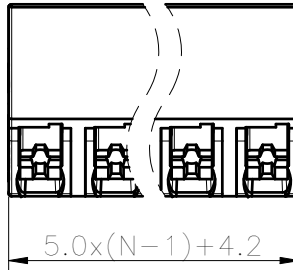


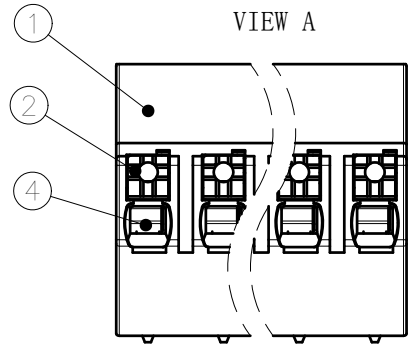
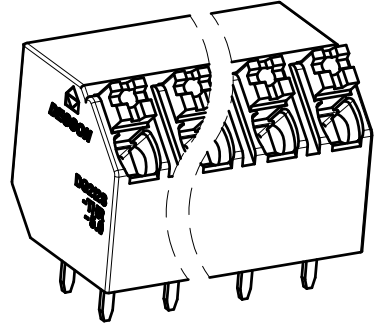
Transfer or duplication of this document as well as the utilization or communication of its contents are prohibited unless explicit authorization is granted. Customers will be liable for compensation. All rights reserved for patent, utility model or design registrations. 非经书面授权, 复制、转售、利用、交加本文件的内容, 侵犯者将承担赔偿责任。本公司保留对涉及发明、实用新型和外观设计的所有权利。

未注公差/General tolerances(mm)												0.1/10	
0	>3	>6	>10	>18	>30	>50	>80	>120	>180	>250	>315		>400
±0.12	±0.18	±0.22	±0.26	±0.31	±0.37	±0.57	±0.80	±0.93	±1.05	±1.15	±1.60	±2.20	±2.50

UL 标准/UL Standard:	B	C	D
额定电压/电流/Rated Voltage(V)/Current(A)	300/12	/	300/10
IEC 标准/IEC Standard:			
过压类别/Ovoltage Category/污染等级/Pollution Degree	III/3	III/2	II/2
额定电压/电流/Rated Voltage(V)/Current(A)	250/17.5	320/17.5	500/17.5
额定脉冲电压(KV)/Rate Impulse Voltage(KV)	4	4	4
线径范围(硬线和软线)/Wire Range(rigid and flexible)(AWG/mm²)	28-14 /0.2-1.5		
间距/Pitch(mm)/线数范围/Poles	5.0/N-02-24P		
剥线长度/Stripping length(mm)	7-8		
使用温度范围/Operating temperature(°C)	-40+130		
符合RoHS环保要求/Conform to RoHS	Yes		

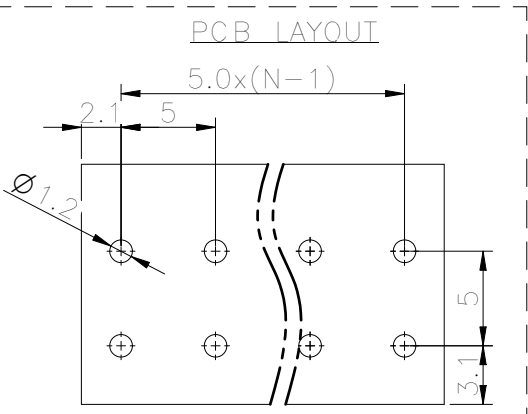


Please refer to the 3D model for those unmarked dimensions



Note:  
The A&Z(H) in the name means: A(H) and Z(H).

ITEM	NAME OF PART	MATERIAL	NOTES
4	Spring	Stainless Steel	/
3	Pin Header	Copper Alloy	Sn Plated
2	Button	PA66+GF%	UL94V-0
1	Housing	PA4T	UL94V-0



<b>DEGSON</b>		MATERIAL:	SURFACE:	
APPD: 竺春华	2023.08.22	MAT NO./REV: /	MAT STATUS: 批量	
CHKD: 张玉华	2023.08.22	NAME		
DRFT: 陈迪辉	2023.08.22	DG212S-THR-5.0-XXP-1Y-00A&Z(H)		
④	A4	DRAWING NO. 200076712	TYPE COMPONENT DRAWING	DRAWING STATUS 已发布
④	A4	SCALE 2:1	SHEET 1/1	

REV	ECN	DESCRIPTION	DRFT	DATE
01	/	IX Add VDE certification mark	陈迪辉	2023.08.22