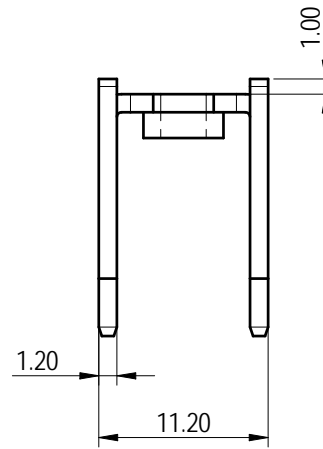
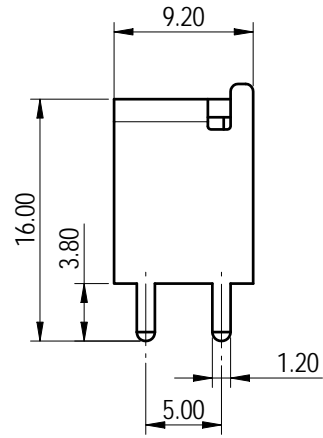
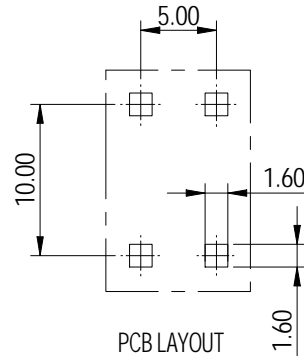
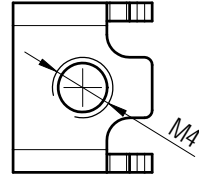


Transfer or duplication of this document as well as the utilization or communication of its contents are prohibited unless authorized in writing by the copyright owner. All rights reserved for patent, utility model or design registrations. 除专利等明确标注外，本文件内容均受法律保护。未经许可，不得复制或传播。如有侵权，本公司保留追究法律责任的权利。

未注公差/General tolerances (mm)													0.1/10 ±2'
0 ~ 3	>3 ~ 6	>6 ~ 10	>10 ~ 18	>18 ~ 30	>30 ~ 50	>50 ~ 80	>80 ~ 120	>120 ~ 180	>180 ~ 250	>250 ~ 315	>315 ~ 400	>400 ~ 500	
±0.12	±0.18	±0.22	±0.26	±0.31	±0.37	±0.57	±0.80	±0.93	±1.05	±1.15	±1.60	±2.20	±2.50



Note: The A&Z(H) in the name means: A(H) and Z(H).

ITEM	NAME OF PART	MATERIAL	NOTES
1	Pin header	Copper alloy	Sn Plated

额定电流/Rated Current(A)	50A
螺丝扭矩/Torque Tightening(N·m/Lb.in)	M4, 1.32/12.0
使用温度范围/Operating temperature(°C)	-40~+105
符合RoHS环保要求/Conform to RoHS	Yes

DEGSON		MATERIAL:	SURFACE/COLOR:		
MAT NO./REV: 10900000072 / 00		MAT STATUS: 批量			
APPD: 蓝贵凡	2023.01.29	NAME			
CHKD: 曹利彬	2023.01.29	K50-00A&Z(H)			
DRFT: 孙科豪	2023.01.29	DRAWING NO.	TYPE	DRAWING STATUS	SHEET
 A4 (inch)		200140206	CUSTOMER DRAWING	已发布	1/1
		SCALE	2:1		

REV	ECN	DESCRIPTION	DRFT	DATE
00	/	/	/	/