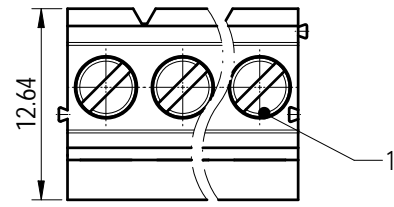
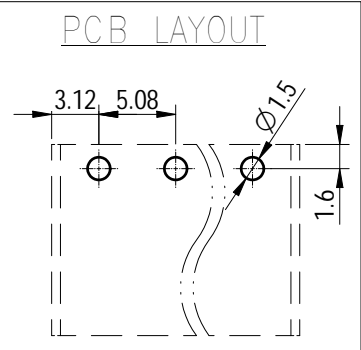
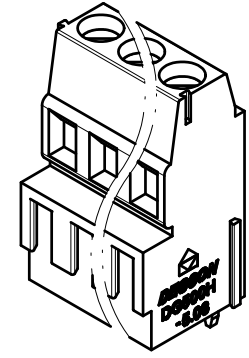
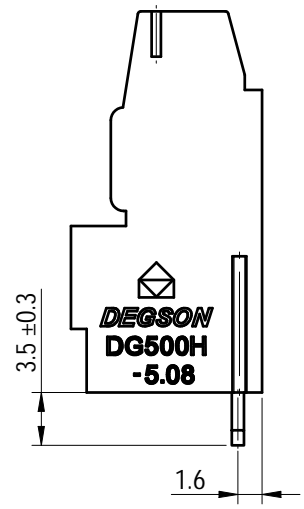
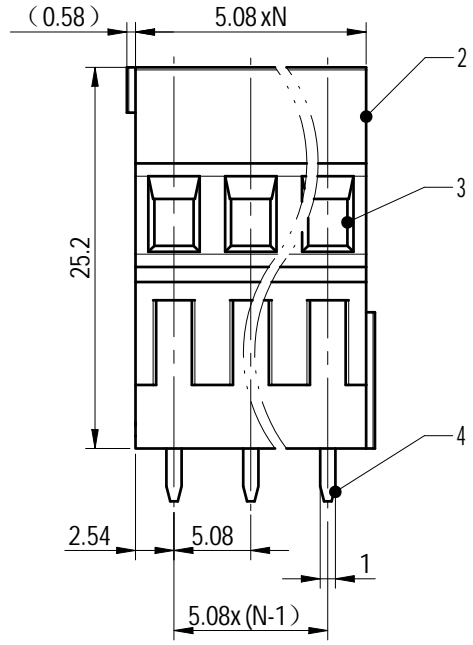
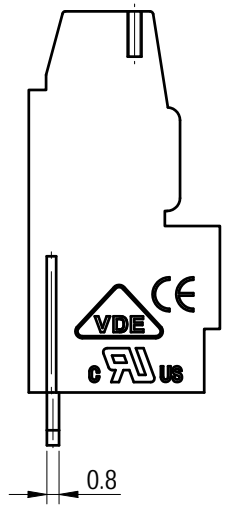


Transfer or duplication of this document as well as the utilization or communication of its contents are prohibited unless authorized in writing. All rights reserved for patent. 除专利声明外，其他内容均受法律保护。未经许可，不得复制或传播。 0.1/10

公差/General tolerances (mm)													
0	>3	>6	>10	>18	>30	>50	>80	>120	>180	>250	>315	>400	0.1/10 ±2'
~3	~6	~10	~18	~30	~50	~80	~120	~180	~250	~315	~400	>500	
±0.12	±0.18	±0.22	±0.26	±0.31	±0.37	±0.57	±0.80	±0.93	±1.05	±1.15	±1.60	±2.20	±2.50



UL 标准/UL Standard:	B	C	D
额定电压/电流/Rated Voltage(V)/Current(A)	300/20	/	300/10
IEC 标准/IEC Standard:			
过压类别/Overvoltage Category/污染等级/Pollution Degree	III/3	III/2	II/2
额定电压/电流/Rated Voltage(V)/Current(A)	/	250/24	/
工频耐压/Withstanding Voltage(V/1Min)	/	AC2000	/
螺丝扭矩/Torque Tightening(N·m/Lb.in)	M3, 0.5/4.5		
线径范围(硬线和软线)/Wire Range(rigid and flexible)(AWG/mm²)	28~12 / 1.0~2.5		
间距/Pitch(mm)/线数范围/Polos	5.08/N=02~24P		
剥线长度/Stripping length(mm)	6~7		
使用温度范围/Operating temperature(°C)	-40~+105		
符合RoHS环保要求/Conform to RoHS	Yes		



Note:  
The A&Z(H) in the name means :A(H) and Z(H).

4	Pin header	Copper alloy	Sn Plated
3	Cage	Copper alloy	M3/Ni Plated
2	Housing	PA66	UL94V-0
1	Screw	Steel	M3/Zn Plated
ITEM	NAME OF PART	MATERIAL	NOTES

		MATERIAL: /	SURFACE/COLOR: /	
APPD: 兰春华 2022.07.18		MAT NO./REV: - / 00	MAT STATUS: 批量	
CHKD: 陈招 2022.07.18		NAME		
DRFT: 柳学龙 2022.07.15		DG500H-5.08-XXP-1Y-1000A&Z(H)		
DRAWING NO.	TYPE	DRAWING STATUS	SCALE	SHEET
200097385	CUSTOMER DRAWING	已发布	2:1	1/1

00	ECN	DESCRIPTION	DRFT	DATE
			柳学龙	2022.07.15