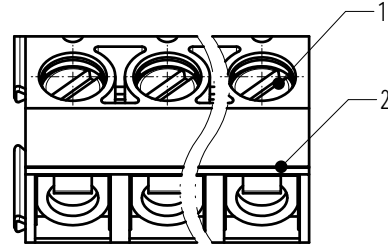
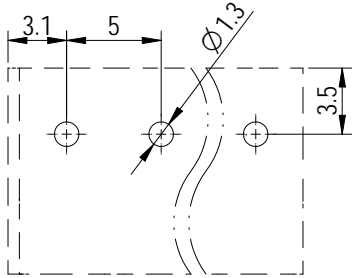
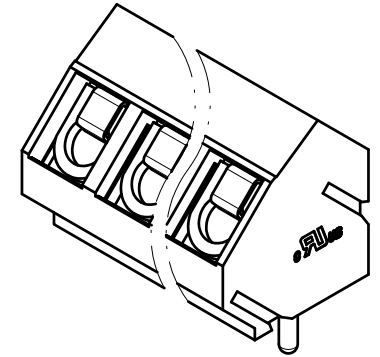
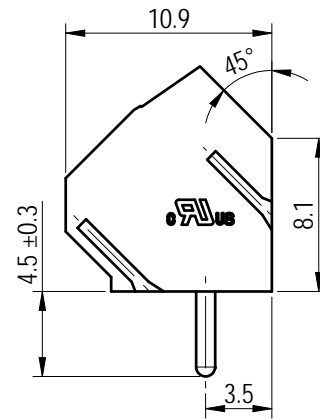
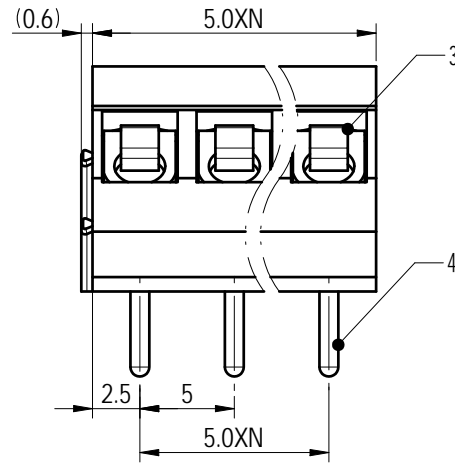
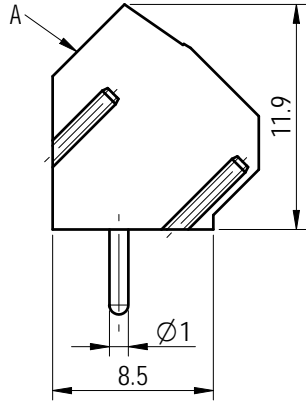


PCB LAYOUT

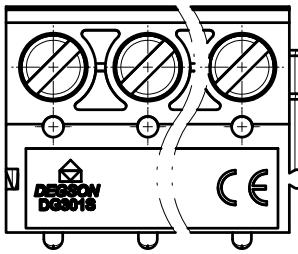


未注公差/General tolerances (mm)												0.1/10 ±2'		
0	>3	>6	>10	>18	>30	>50	>80	>120	>180	>250	>315		>400	>500
±0.12	±0.18	±0.22	±0.26	±0.31	±0.37	±0.57	±0.80	±0.93	±1.05	±1.15	±1.60	±2.20	±2.50	

UL 标准/UL Standard:	B	C	D
额定电压/电流/Rated Voltage(V)/Current(A)	300/15	/	300/10
IEC 标准/IEC Standard:			
过压类别/Overvoltage Category/污染等级/Pollution Degree	III/3	III/2	II/2
额定电压/电流/Rated Voltage(V)/Current(A)	250/17.5	320/17.5	630/17.5
额定脉冲电压(KV)/Rate Impulse Voltage(KV)	4	4	4
螺丝扭矩/Torque Tightening(N·m/Lb.in)	M2.6, 0.4/3.6		
线径范围(硬线和软线)/Wire Range(rigid and flexible)(AWG/mm²)	22~14 / 0.2~1.5		
间距/Pitch(mm)/线数范围/Poles	5.0/N=02~24P		
剥线长度/Stripping length(mm)	5		
使用温度范围/Operating temperature(°C)	-40~+105		
符合RoHS环保要求/Conform to RoHS	Yes		



VIEW A



Note:  
The A&Z(H) in the name means :A(H) and Z(H).

ITEM	NAME OF PART	MATERIAL	NOTES
4	Pin	Copper alloy	M2.6/Sn Plated
3	Spring	Stainless steel	/
2	Housing	PA66	UL94V-0
1	Screw	Steel	M2.6/Zn Plated

		MATERIAL: /		SURFACE/COLOR: /	
APPD: 兰春华 2022.12.15		MAT NO./REV: - / 00		MAT STATUS: 批量	
CHKD: 陈招 2022.12.15		NAME			
DRFT: 岑凯 2022.12.15		DG301S-5.0-XXP-1Y-00A&Z(H)			
DRAWING NO. 200027947		TYPE CUSTOMER DRAWING		DRAWING STATUS 已发布	
SCALE 2.5:1		SHEET 1/1			

REV	ECN	DESCRIPTION	DRFT	DATE
00			岑凯	2022.12.15

Transfer or duplication of this document as well as the utilization or communication of its contents are prohibited unless authorized in writing by Degson. All rights reserved for patent. 除专利注明情况外，其他部分均不作为要约。 未经授权，禁止复制或传播。 未经公司许可，不得将本文件中的任何内容用于其他目的。 所有权利均保留。 未经公司许可，不得将本文件中的任何内容用于其他目的。