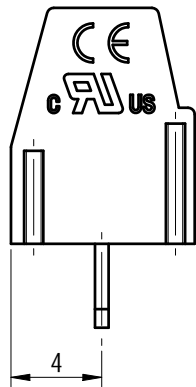
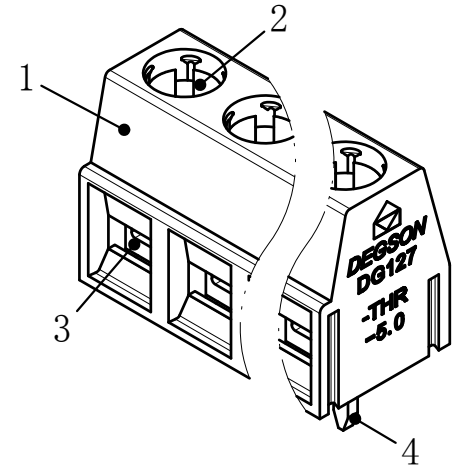
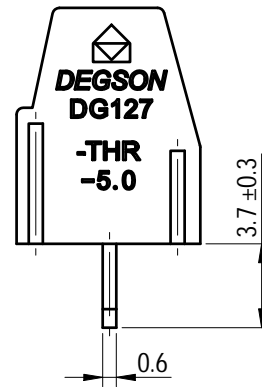
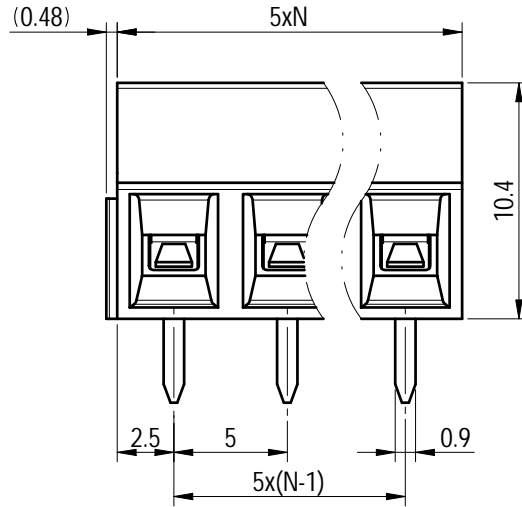
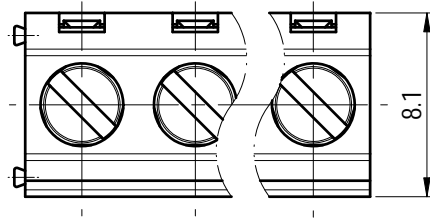


| 未注公差/General tolerances (mm) | | | | | | | | | | | | | 0.1/10 |
|------------------------------|-------|-------|-------|-------|-------|-------|-------|-------|-------|-------|-------|-------|--------|
| 0 | >3 | >6 | >10 | >18 | >30 | >50 | >80 | >120 | >180 | >250 | >315 | >400 | |
| ~3 | ~6 | ~10 | ~18 | ~30 | ~50 | ~80 | ~120 | ~180 | ~250 | ~315 | ~400 | ~500 | >500 |
| ±0.12 | ±0.18 | ±0.22 | ±0.26 | ±0.31 | ±0.37 | ±0.57 | ±0.80 | ±0.93 | ±1.05 | ±1.15 | ±1.60 | ±2.20 | ±2.50 |

| UL 标准/UL Standard: | B | C | D |
|--|---------------------------------|--------|--------|
| 额定电压/电流/Rated Voltage(V)/Current(A) | 300/12 | / | / |
| IEC 标准/IEC Standard: | | | |
| 过压类别/Overvoltage Category/污染等级/Pollution Degree | III/3 | III/2 | II/2 |
| 额定电压/电流/Rated Voltage(V)/Current(A) | 200/15 | 320/15 | 630/15 |
| 额定脉冲电压(KV)/Rate Impulse Voltage(KV) | 4 | 4 | 4 |
| 螺丝扭矩/Torque Tightening(N·m/Lb.in) | M3: 0.34/3.1(2P) 0.5/4.4(3P) | | |
| 线径范围(硬线和软线)/Wire Range(rigid and flexible)(AWG/mm ²) | 30~14/ 0.2~1.5 | | |
| 间距/Pitch(mm)/线数范围/Poles | 5.0/N=02~03P | | |
| 剥线长度/Stripping length(mm) | 6 | | |
| 使用温度范围/Operating temperature(°C) | -40~+130 | | |
| 符合RoHS环保要求/Conform to RoHS | Yes | | |



Note:
The A&Z(H) in the name means: A(H) and Z(H).

| ITEM | NAME OF PART | MATERIAL | NOTES |
|------|--------------|-----------------|--------------|
| 4 | Pin header | Copper alloy | Sn Plated |
| 3 | Cage | Copper alloy | M3/Ni Plated |
| 2 | Screw | Steel | M3/Zn Plated |
| 1 | Housing | Thermostability | UL94V-0 |

| | | | | | |
|-----------|------------|-------------------------------|----------------|------------------|----------------|
| | | MATERIAL: | SURFACE/COLOR: | | |
| APPD: 兰春华 | 2023.01.31 | MAT NO./REV: - | / 00 | MAT STATUS: 批量 | |
| CHKD: 陈招 | 2023.01.31 | NAME | | | |
| DRFT: 巴宇辉 | 2023.01.31 | DG127-THR-5.0-XXP-1Y-00A&Z(H) | | | |
| REV | ECN | DESCRIPTION | DRAWING NO. | TYPE | DRAWING STATUS |
| 00 | | 巴宇辉 | 200140276 | CUSTOMER DRAWING | 已发布 |
| DRFT | DATE | SCALE | SHEET | | |
| 巴宇辉 | 2023.01.31 | 2:1 | 1/1 | | |

| REV | ECN | DESCRIPTION | DRFT | DATE |
|-----|-----|-------------|------|------------|
| 00 | | | 巴宇辉 | 2023.01.31 |

Transfer or duplication of this document as well as the utilization or communication of its contents are prohibited unless authorized in writing. All rights reserved for patent, utility model or design registrations. 除专利、实用新型、外观设计、发明专利、软件著作权、集成电路布图设计专有权、商业秘密和未公开的知识产权外，其他知识产权均归本公司所有。未经许可，不得复制或传播。 除专利、实用新型、外观设计、发明专利、软件著作权、集成电路布图设计专有权、商业秘密和未公开的知识产权外，其他知识产权均归本公司所有。未经许可，不得复制或传播。