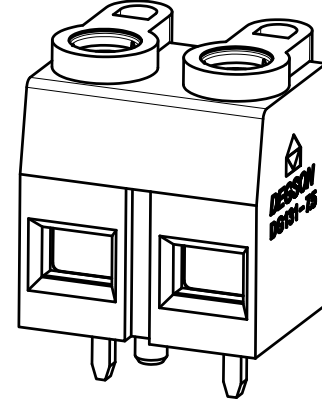
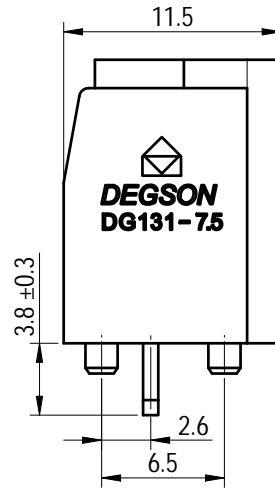
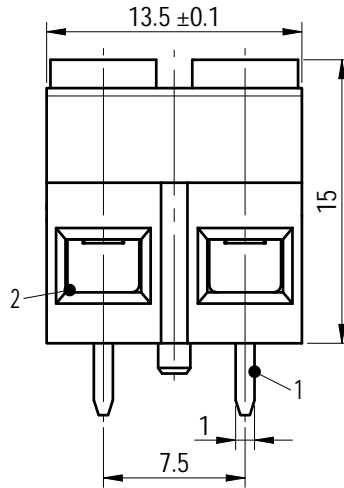
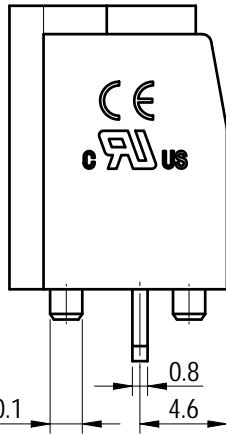
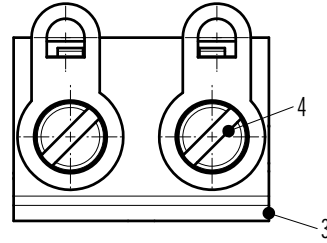
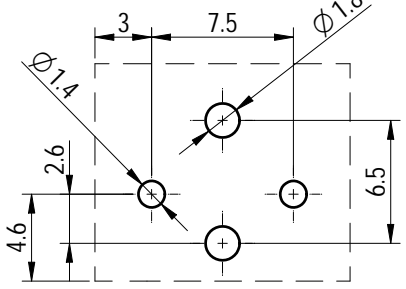


PCB LAYOUT



| 未注公差/General tolerances (mm) |       |       |       |       |       |       |       |       |       |       |       |       | 0.1/10 |
|------------------------------|-------|-------|-------|-------|-------|-------|-------|-------|-------|-------|-------|-------|--------|
| 0                            | >3    | >6    | >10   | >18   | >30   | >50   | >80   | >120  | >180  | >250  | >315  | >400  |        |
| ~3                           | ~6    | ~10   | ~18   | ~30   | ~50   | ~80   | ~120  | ~180  | ~250  | ~315  | ~400  | ~500  | ±2'    |
| ±0.12                        | ±0.18 | ±0.22 | ±0.26 | ±0.31 | ±0.37 | ±0.57 | ±0.80 | ±0.93 | ±1.05 | ±1.15 | ±1.60 | ±2.20 |        |

Note: The A&Z(H) in the name means: A(H) and Z(H).

| ITEM | NAME OF PART | MATERIAL     | NOTES        |
|------|--------------|--------------|--------------|
| 4    | Screw        | Steel        | M3/Zn Plated |
| 3    | Housing      | PA66         | UL94V-0      |
| 2    | Cage         | Copper alloy | M3/Ni Plated |
| 1    | Pin header   | Copper alloy | Sn Plated    |

| UL 标准/UL Standard:   | B               | C      | D       |
|--|-----------------|--------|---------|
| 额定电压/电流/Rated Voltage(V)/Current(A)                              | 300/20          | /      | 300/10  |
| IEC 标准/IEC Standard:   |                 |        |         |
| 过压类别/Overvoltage Category/污染等级/Pollution Degree                  | III/3           | III/2  | II/2    |
| 额定电压/电流/Rated Voltage(V)/Current(A)                              | 400/18          | 630/18 | 1000/18 |
| 额定脉冲电压(KV)/Rate Impulse Voltage(KV)                              | 6               | 6      | 6       |
| 螺丝扭矩/Torque Tightening(N·m/Lb.in)                                | M3, 0.5/4.5     |        |         |
| 线径范围(硬线和软线)/Wire Range(rigid and flexible)(AWG/mm <sup>2</sup> ) | 24~12 / 0.2~2.5 |        |         |
| 剥线长度/Stripping length(mm)  | 6~7             |        |         |
| 使用温度范围/Operating temperature(°C)                                 | -40~+105        |        |         |
| 符合RoHS环保要求/Conform to RoHS                                       | Yes             |        |         |

|                      |                  |                           |                |                |
|----------------------|------------------|---------------------------|----------------|----------------|
| <b>DEGSON</b>        |                  | MATERIAL: -               | SURFACE/COLOR: |                |
| APPD: 兰春华 2023.03.03 |                  | MAT NO./REV: - / 00       |                | MAT STATUS: 批量 |
| CHKD: 陈招 2023.03.01  |                  | NAME                      |                |                |
| DRFT: 袁路易 2023.03.01 |                  | DG131-7.5-02P-1Y-00A&Z(H) |                |                |
| DRAWING NO.          | TYPE             | DRAWING STATUS            | SCALE          | SHEET          |
| 200022464            | CUSTOMER DRAWING | 已发布                       | 2.5:1          | 1/1            |

| REV | ECN | DESCRIPTION | DRFT | DATE       |
|-----|-----|-------------|------|------------|
| 00  |     |             | 袁路易  | 2023.03.01 |

Transfer or duplication of this document as well as the utilization or communication of its contents are prohibited unless authorized in writing by DEGSON. All rights reserved for patent. 除专利注册外, 复制、印刷、光碟等文件的传播, 未经公司书面授权, 均属侵权行为。 保留所有权利, 未经许可, 不得复制或传播。