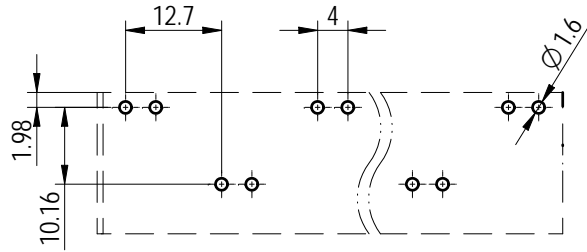
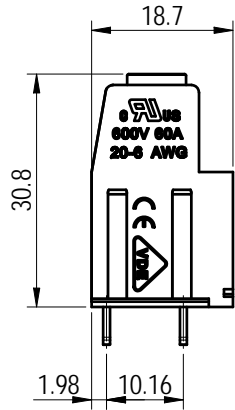
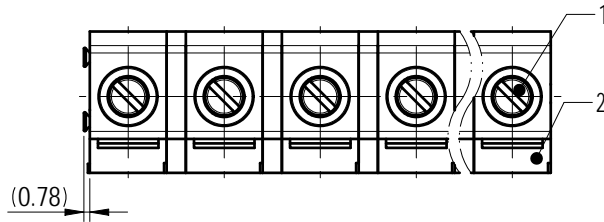
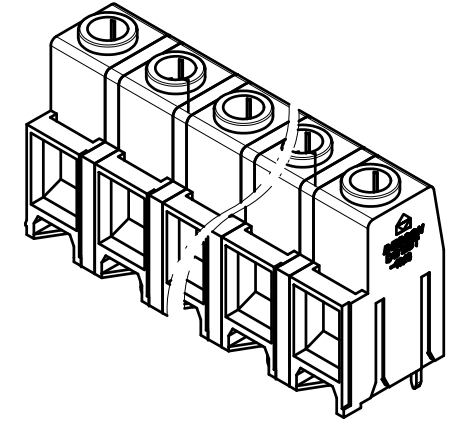


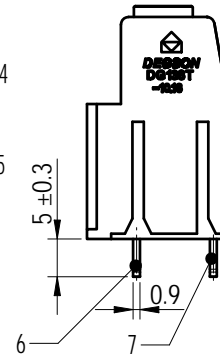
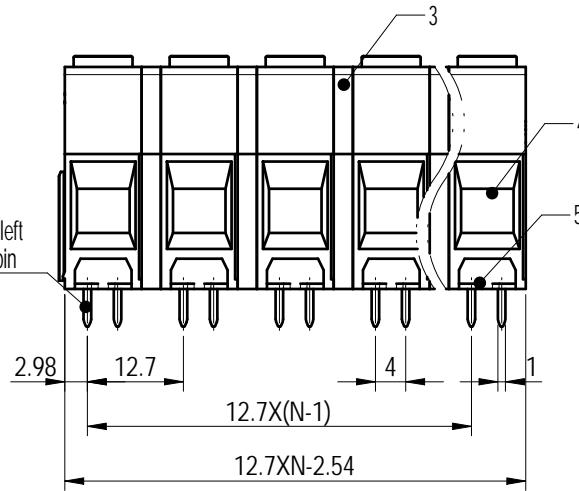
PCB LAYOUT



未注公差/General tolerances (mm)												0.1/10	
0	>3	>6	>10	>18	>30	>50	>80	>120	>180	>250	>315		>400
~3	~6	~10	~18	~30	~50	~80	~120	~180	~250	~315	~400	~500	>500
±0.12	±0.18	±0.22	±0.26	±0.31	±0.37	±0.57	±0.80	±0.93	±1.05	±1.15	±1.60	±2.20	±2.50



The first pin at left side is back pin



Note:

The A&Z(H) in the name means: A(H) and Z(H).

ITEM	NAME OF PART	MATERIAL	NOTES
7	Pin header2	Copper	Sn plated
6	Pin header1	Copper	Sn plated
5	Cover	PA66	UL94V-0
4	Cage	Copper alloy	M4/Ni Plated
3	Clapboard	PA66	UL94V-0
2	Housing	PA66	UL94V-0
1	Screw	Copper alloy	M4/Ni Plated

UL 标准/UL Standard:	B	C	D
额定电压/电压/Rated Voltage(V)/Current(A)	600/60	600/60	/
IEC 标准/IEC Standard:			
过压类别/Overvoltage Category/污染等级/Pollution Degree	III/3	III/2	II/2
额定电压/电压/Rated Voltage(V)/Current(A)	/	1000/76	/
工频耐压/Withstanding voltage(V/1Min)	/	AC3500	/
螺丝扭矩/Torque Tightening(N·m/Lb.in)	M4, 1.2/10.53		
线径范围(硬线和软线)/Wire Range(rigid and flexible)(AWG/mm²)	20~6 / 0.5~16		
间距/Pitch(mm)/线数范围/Poles	12.7/N=02~10P		
剥线长度/Stripping length(mm)	13~14		
使用温度范围/Operating temperature(°C)	-40~+105		
符合RoHS环保要求/Conform to RoHS	Yes		



MATERIAL:	SURFACE/COLOR:
MAT NO./REV: / 00	MAT STATUS: 批量

APPD: 兰春华	2023.01.31
CHKD: 陈招	2023.01.30
DRFT: 龚徐涛	2023.01.30

NAME				
DG138T-12.7-XXP-1Y-00A&Z(H)				

00			龚徐涛	2023.01.30
REV	ECN	DESCRIPTION	DRFT	DATE

DRAWING NO.	TYPE	DRAWING STATUS	SCALE	SHEET
200029434	CUSTOMER DRAWING	已发布	1:1	1/1

Transfer or duplication of this document as well as the utilization or communication of its contents are prohibited unless authorized in writing. All rights reserved for patent. 除专利号外，其他内容均受法律保护。未经许可，不得复制或传播。本公司保留对涉及发明、实用新型及外观设计专利的权利。