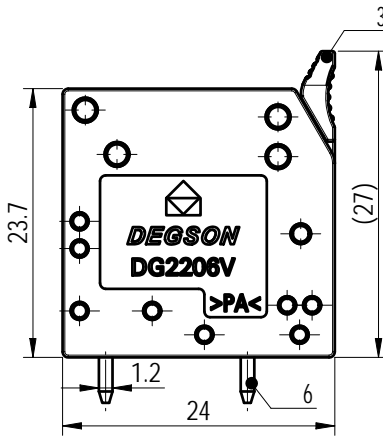
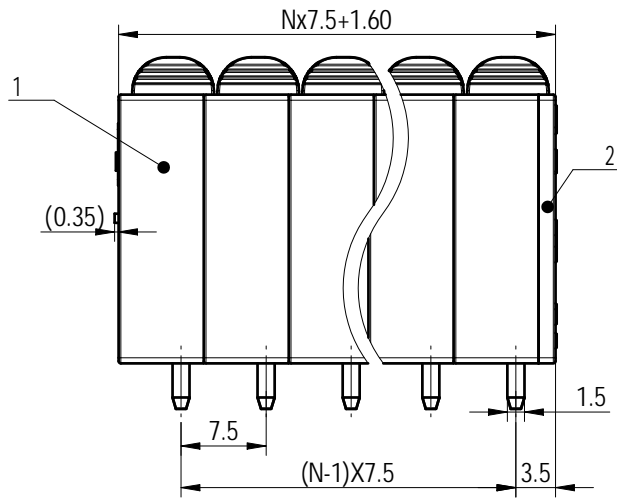
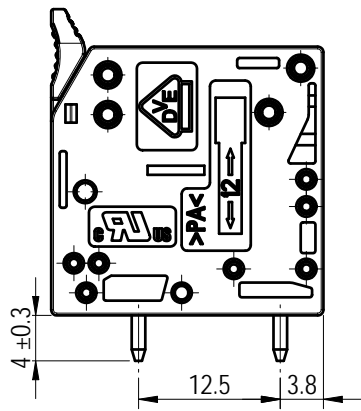
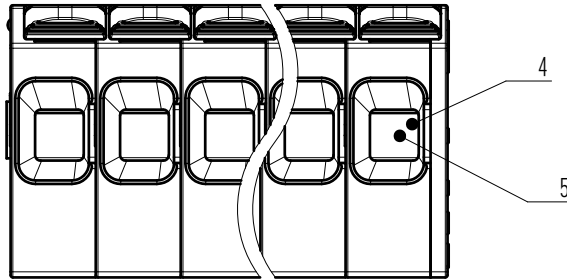
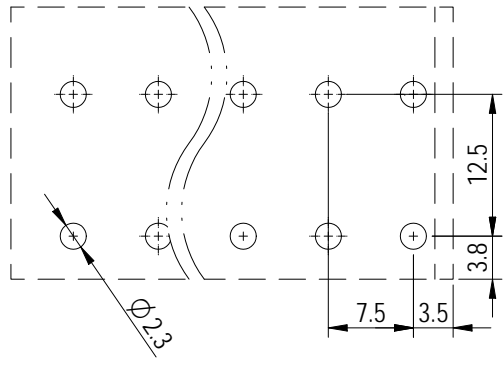


PCB LAYOUT



未注公差/General tolerances (mm)														
0	>3	>6	>10	>18	>30	>50	>80	>120	>180	>250	>315	>400	>500	0.1/10
~3	~6	~10	~18	~30	~50	~80	~120	~180	~250	~315	~400	~500		±2'
±0.12	±0.18	±0.22	±0.26	±0.31	±0.37	±0.57	±0.80	±0.93	±1.05	±1.15	±1.60	±2.20	±2.50	

N=01P			
UL 标准/UL Standard:	B	C	D
额定电压/电流/Rated Voltage(V)/Current(A)	600V/41	600V/41	/
IEC 标准/IEC Standard:			
过压类别/Overvoltage Category/污染等级/Pollution Degree	III/3	III/2	II/2
额定电压/电流/Rated Voltage(V)/Current(A)	800/41	1000/41	1000/41
额定脉冲电压(KV)/Rate Impulse Voltage(KV)	8	8	8
N=02-12P			
UL 标准/UL Standard:	B	C	D
额定电压/电流/Rated Voltage(V)/Current(A)	300V/41	150V/41	300/10
IEC 标准/IEC Standard:			
过压类别/Overvoltage Category/污染等级/Pollution Degree	III/3	III/2	II/2
额定电压/电流/Rated Voltage(V)/Current(A)	500/41	690/41	1000/41
额定脉冲电压(KV)/Rate Impulse Voltage(KV)	6	6	6
线径范围(硬线和软线)/Wire Range(rigid and flexible)(AWG/mm²)	24~8 / 0.2~6.10(sol)		
剥线长度/Stripping length(mm)	11~13		
使用温度范围/Operating temperature(°C)	-40~+105		
符合RoHS环保要求/Conform to RoHS	Yes		

ITEM	NAME OF PART	MATERIAL	NOTES
6	Pin	Copper alloy	Sn Plated
5	Slider	SUS301	/
4	Spring	SUS301	/
3	Lever	PA66+25%GF	UL94V-0
2	Cover	PA66	UL94V-0
1	Housing	PA66	UL94V-0

		MATERIAL:		SURFACE/COLOR:	
		MAT NO./REV: / 00		MAT STATUS: 批量	
APPD: 朱伟明	2022.12.27	NAME			
CHKD: 张玉华	2022.12.23	DG2206V-7.5-XXP-1Y-00Z(H)			
DRFT: 阮帅帅	2022.12.22				
DRAWING NO.	TYPE	DRAWING STATUS	SCALE	SHEET	
200123509	CUSTOMER DRAWING	已发布	1.5:1	1/1	

REV	ECN	DESCRIPTION	DRFT	DATE
00			阮帅帅	2022.12.22

Transfer or duplication of this document as well as the utilization or communication of its contents are prohibited unless expressly authorized in writing by the copyright holder. 任何复制或传播本文件内容，以及未经书面授权擅自使用本文件内容，均属于侵权行为。 版权所有，侵权必究。