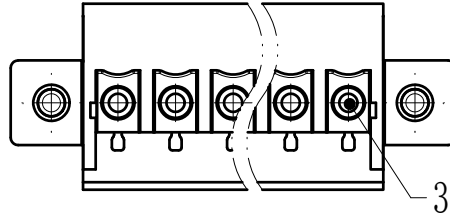
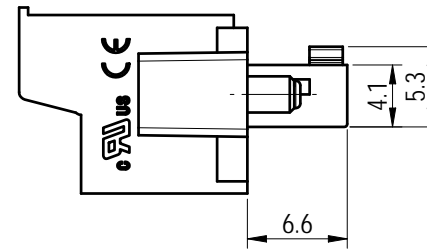
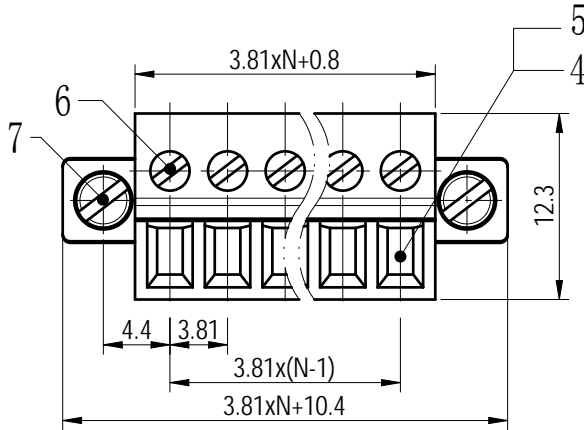
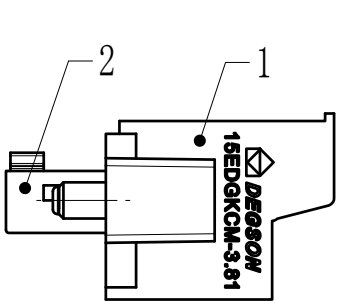
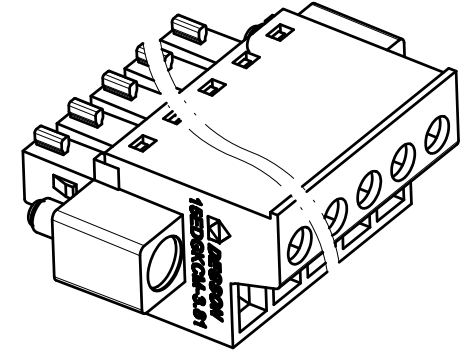
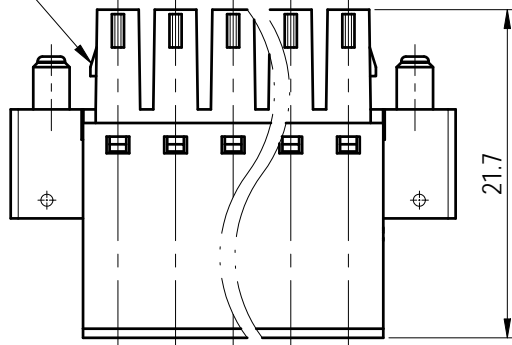


未注公差/General tolerances (mm)													0.1/10	
0	>3	>6	>10	>18	>30	>50	>80	>120	>180	>250	>315	>400		
~3	~6	~10	~18	~30	~50	~80	~120	~180	~250	~315	~400	~500	>500	
±0.12	±0.18	±0.22	±0.26	±0.31	±0.37	±0.57	±0.80	±0.93	±1.05	±1.15	±1.60	±2.20	±2.50	±2'



02P-06P have the salient,
07P-24P have not the salient



Note:
The A&Z(H) in the name means: A(H) and Z(H).

ITEM	NAME OF PART	MATERIAL	NOTES
7	Screw2	Steel	M2.5/Zn Plated
6	Screw1	Steel	M2/Zn Plated
5	Cage	Steel	M2/Zn Plated
4	Block	Steel	Zn Plated
3	Clamp	Copper alloy	Sn Plated
2	Cover	PA66	UL94V-0
1	Housing	PA66	UL94V-0

UL 标准/UL Standard:		B	C	D
额定电压/电流/Rated Voltage(V)/Current(A)		300/8	/	300/8
IEC 标准/IEC Standard:				
过压类别/Ovenvoltage Category/污染等级/Pollution Degree		III/3	III/2	II/2
额定电压/电流/Rated Voltage(V)/Current(A)		/	250/8	/
额定脉冲电压(KV)/Rate Impulse Voltage(KV)		/	2.5	/
螺丝扭矩/Torque Tightening(N·m/Lb.in)		M2, 0.2/1.77		
线径范围(硬线和软线)/Wire Range(rigid and flexible)(AWG/mm²)		30~16/ 0.2~1.5		
间距/Pitch(mm)/线数范围/Poles		3.81/N=02~24P		
剥线长度/Stripping length(mm)		8~9		
使用温度范围/Operating temperature(°C)		-40~+105		
符合RoHS环保要求/Conform to RoHS		Yes		

		MATERIAL:	SURFACE/COLOR:	
APPD: 兰春华 2023.02.23		MAT NO./REV: - / 00	MAT STATUS: 批量	
CHKD: 龚耀志 2023.02.22		NAME 15EDGKCM-3.81-XXP-1Y-00A&Z(H)		
DRFT: 朱岳鹏 2023.02.22		DRAWING NO. 200020028	TYPE CUSTOMER DRAWING	DRAWING STATUS 已发布
SCALE 2:1	SHEET 1/1			

REV	ECN	DESCRIPTION	DRFT	DATE
00			朱岳鹏	2023.02.22

Transfer or duplication of this document as well as the utilization or communication of its content are prohibited unless authorized in writing by DEGSON. All rights reserved for patent. 除专利号明确标注外, 其他内容均受版权保护。未经授权, 不得复制或传播。 0.1/10