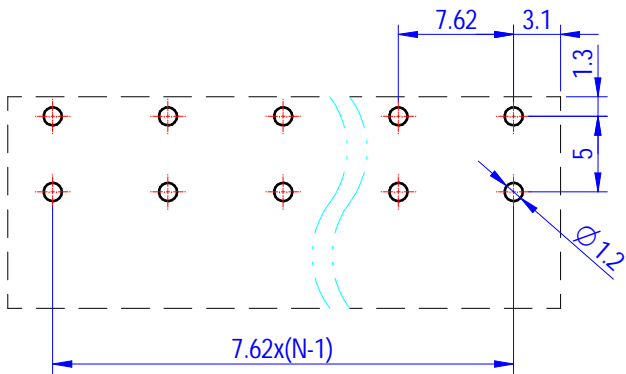
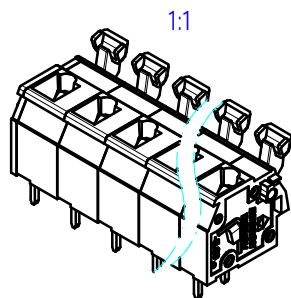
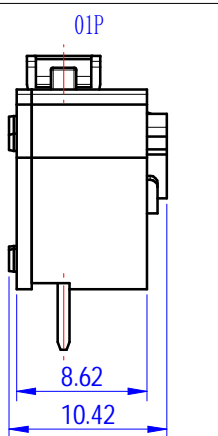
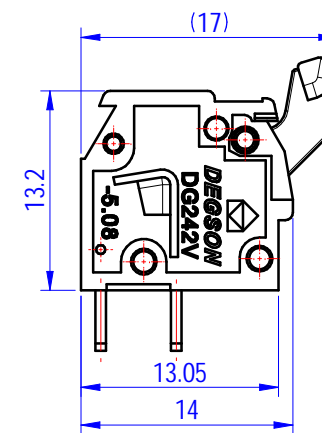
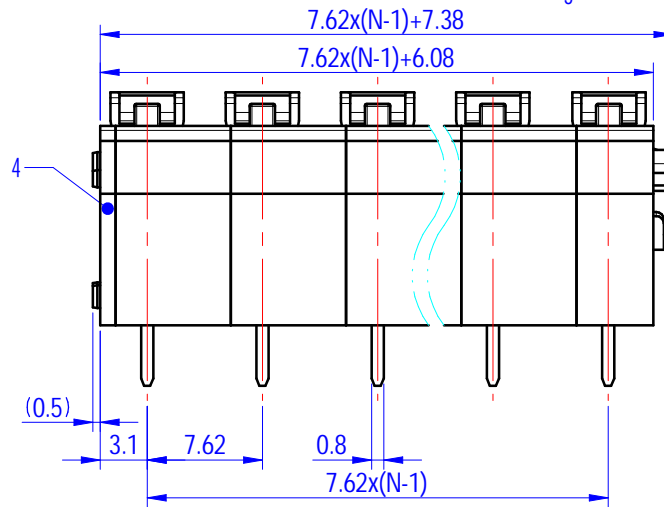
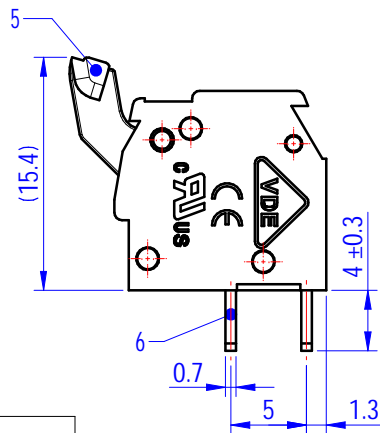
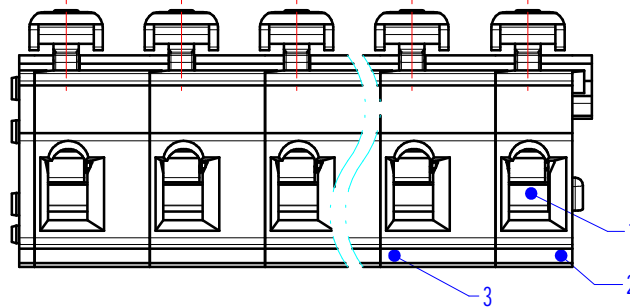


PCB LAYOUT



未注公差/General tolerances (mm)													0.1/10
0	>3	>6	>10	>18	>30	>50	>80	>120	>180	>250	>315	>400	
~3	~6	~10	~18	~30	~50	~80	~120	~180	~250	~315	~400	~500	~500
±0.12	±0.18	±0.22	±0.26	±0.31	±0.37	±0.57	±0.80	±0.93	±1.05	±1.15	±1.60	±2.20	±2.50

UL 标准/UL Standard:	B	C	D
额定电压/电压/Rated Voltage(V)/Current(A)	300/15	/	300/10
IEC 标准/IEC Standard:			
过压类别/Overtoltage Category/污染等级/Pollution Degree	III/3	III/2	II/2
额定电压/电压/Rated Voltage(V)/Current(A)	/	750/17	/
工频耐压/Withstanding Voltage(V 1Min)	AC3000		
线径范围(硬线和软线)/Wire Range(rigid and flexible)(AWG mm <sup>2</sup> )	28~ 12/ 0.2~ 2.5		
间距/Pitch(mm)/线数范围/ Poles	7.62/N= 01~ 16P		
剥线长度/Stripping length(mm)	5~ 6		
使用温度范围/Operating temperature(°C)	-40~ + 105		
符合RoHS环保要求/Conform to RoHS	Yes		



6	Pin header	Copper alloy	Sn Plated
5	Button	POM	UL94HB
4	Cover	PA66	UL94V-0
3	Housing2	PA66	UL94V-0
2	Housing1	PA66	UL94V-0
1	Spring	Stainless steel	/
ITEM	NAME OF PART	MATERIAL	NOTES

		MATERIAL:	SURFACE/COLOR:		
APPD: 兰春华	2024.05.22	MAT NO./REV: / 00	MAT STATUS: 批量		
CHKD: 陈招	2024.05.22	NAME			
DRFT: 唐本恒	2024.05.22	DG242V-7.62-XXP-1Y-00A&Z (H)			
④	mm (inch)	DRAWING NO. 200025304	TYPE CUSTOMER DRAWING	DRAWING STATUS 已发布	SCALE 2:1 SHEET 1/1

REV	ECN	DESCRIPTION	DRFT	DATE
01		1x 修改总长尺寸标注	唐本恒	2024.05.22

Transfer or duplication of this document as well as the utilization or communication of its contents are prohibited unless explicit authorization is granted. Violations will be treated as copyright infringement. All rights reserved for patent, utility model or design registrations. 除专利、实用新型、外观设计等知识产权外，本公司保留对涉及发明、实用新型及外观设计等知识产权的专利申请权、使用权、收益权、处分权。未经授权，禁止复制或传播。 除专利、实用新型、外观设计等知识产权外，本公司保留对涉及发明、实用新型及外观设计等知识产权的专利申请权、使用权、收益权、处分权。 未经授权，禁止复制或传播。