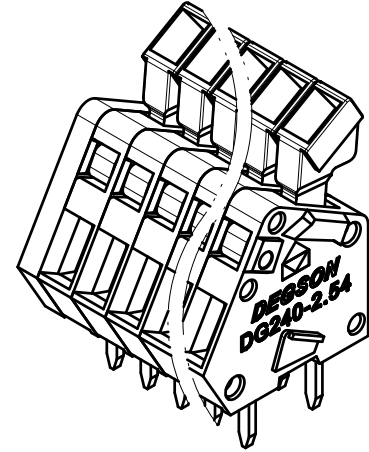
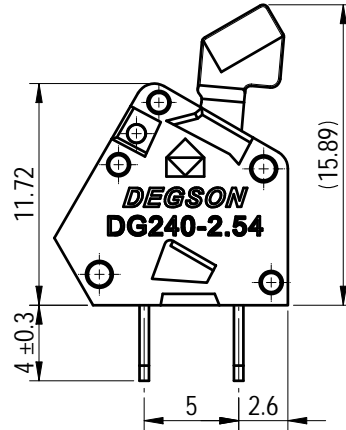
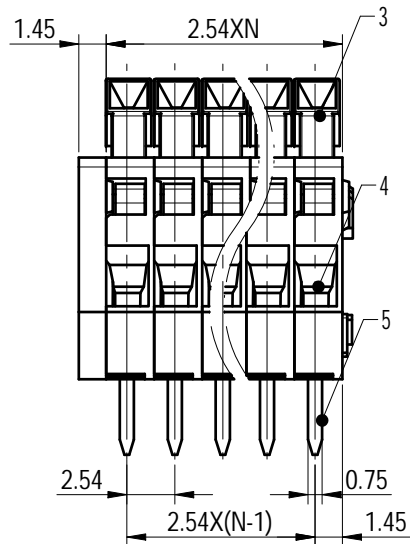
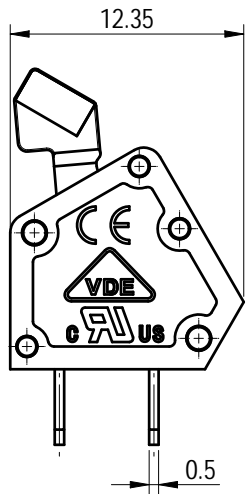
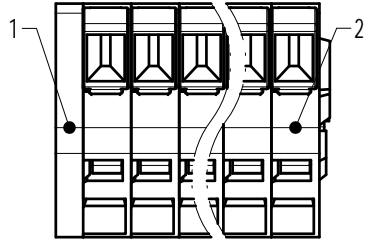
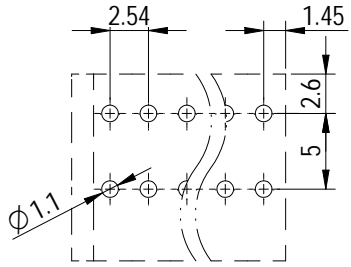


PCB LAYOUT



未注公差/General tolerances (mm)													0.1/10	
0	>3	>6	>10	>18	>30	>50	>80	>120	>180	>250	>315	>400		>500
±0.12	±0.18	±0.22	±0.26	±0.31	±0.37	±0.57	±0.80	±0.93	±1.05	±1.15	±1.60	±2.20	±2.50	±2'

UL 标准/UL Standard:	B	C	D
额定电压/电流/Rated Voltage(V)/Current(A)	150/4	/	/
IEC 标准/IEC Standard:			
过压类别/Overvoltage Category/污染等级/Pollution Degree	III/3	III/2	II/2
额定电压/电流/Rated Voltage(V)/Current(A)	/	130/6	/
工频耐压/Withstanding Voltage(V/min)	/	AC1500	/
线径范围(硬线和软线)/Wire Range(rigid and flexible)(AWG/mm ²)	28~20 / 0.2~0.5		
间距/Pitch(mm)/线数范围/Poles	2.54/N=02~24P		
剥线长度/Stripping length(mm)	5~6		
使用温度范围/Operating temperature(°C)	-40~+105		
符合RoHS环保要求/Conform to RoHS	Yes		

Note:
The A&Z(H) in the name means :A(H) and Z(H).

ITEM	NAME OF PART	MATERIAL	NOTES
5	Pin Header	Copper alloy	Sn Plated
4	Spring	Stainless steel	/
3	Button	POM	UL94-HB
2	Housing	PA66	UL94V-0
1	Cover	PA66	UL94V-0

		MATERIAL: /	SURFACE/COLOR: /	
APPD: 兰春华 2022.09.23		MAT NO./REV: - / 00	MAT STATUS: 批量	
CHKD: 陈招 2022.09.22		NAME		
DRFT: 岑凯 2022.09.22		DG240-2.54-XXP-1Y-00A&Z(H)		
DRAWING NO.	TYPE	DRAWING STATUS	SCALE	SHEET
200027214	CUSTOMER DRAWING	已发布	2.5:1	1/1

REV	ECN	DESCRIPTION	DRFT	DATE
00			岑凯	2022.09.22

Transfer or duplication of this document as well as the utilization or communication of its contents are prohibited unless authorized in writing. All rights reserved for patent. 除专利声明外，其他内容均受法律保护。未经许可，不得复制或传播。 0.1/10