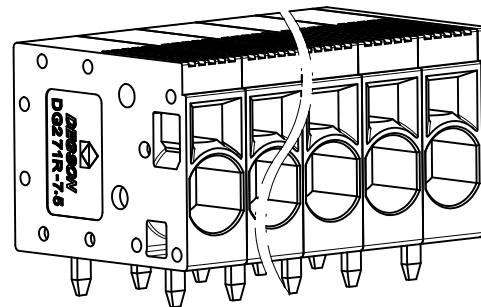
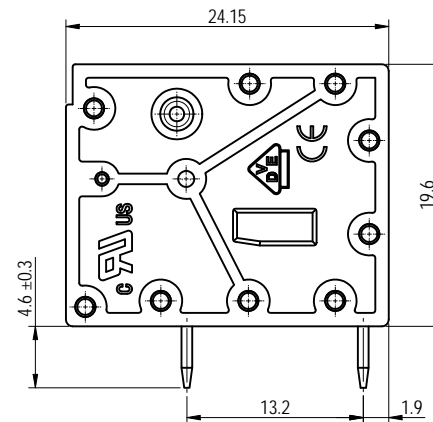
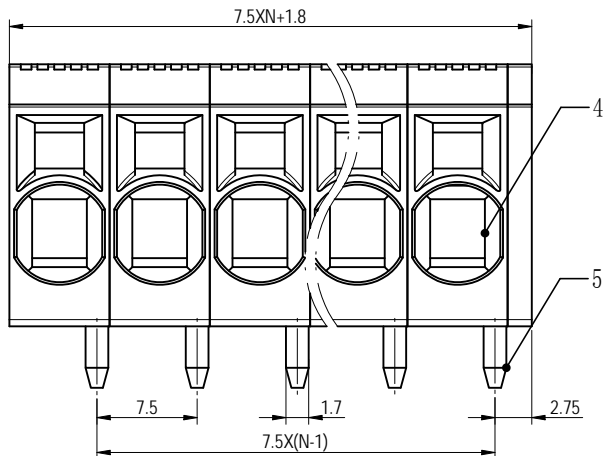
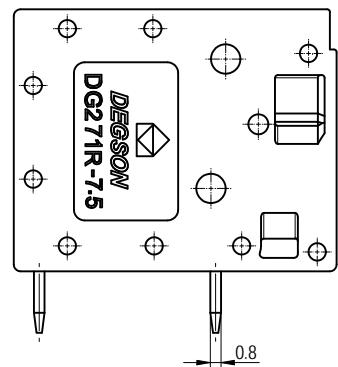
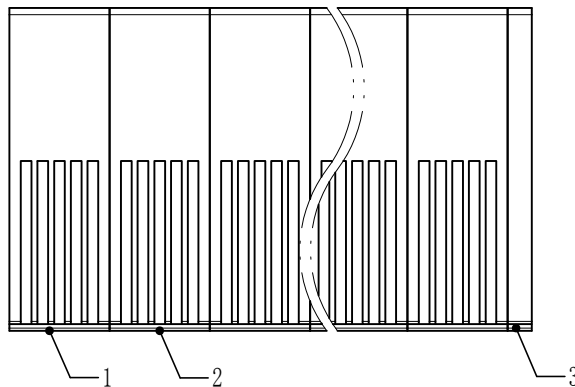
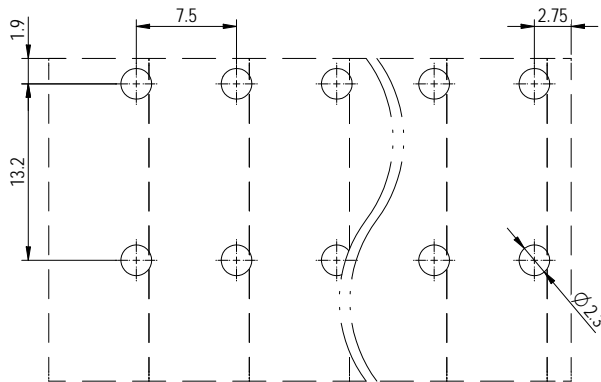


PCB LAYOUT



公差/General tolerances (mm)														
0	>3	>6	>10	>18	>30	>50	>80	>120	>180	>250	>315	>400	>500	0.1/10
~	~	~	~	~	~	~	~	~	~	~	~	~	~	±2
±0.12	±0.18	±0.22	±0.26	±0.31	±0.37	±0.57	±0.80	±0.93	±1.05	±1.15	±1.60	±2.20	±2.50	±2
UL 标准/UL Standard:										B	C	D	F	
额定电压/电流/Rated Voltage(V)/Current(A)										300/40	150/40	300/10	600/40	
IEC 标准/IEC Standard:														
过压类别/Overvoltage Category/污染等级/Pollution Degree										III/3	III/2	II/2	/	
额定电压/电流/Rated Voltage(V)/Current(A)										630/41	1000/41	1000/41	/	
额定脉冲电压(KV)/Rate Impulse Voltage(KV)										6	6	6	/	
线径范围(硬线和软线)/Wire Range(rigid and flexible)(AWG/mm²)										24-8 / 0.2-6				
间距/Pitch(mm)/线数范围/Poles										7.5/N=01-16P				
剥线长度/Stripping length(mm)										14-15				
使用温度范围/Operating temperature(°C)										-40~+105				
符合RoHS环保要求/Conform to RoHS										Yes				

Note:
The A&Z(H) in the name means :A(H) and Z(H).

5	Pin Header	Copper	Sn Plated
4	Spring	Stainless steel	/
3	Cover	PA66	UL94V-0
2	Housing 2	PA66	UL94V-0
1	Housing 1	PA66	UL94V-0
ITEM	NAME OF PART	MATERIAL	NOTES

DIIGSON		MATERIAL: /	SURFACE/COLOR: /	
APPD: 兰泰华	2023.06.13	MAT NO./REV: -	/ 00	MAT STATUS: 批量
CHKD: 陈超	2023.06.13	NAME: DG271R-7.5-XXP-1Y-100A&Z(H)		
DRAFT: 李凯	2023.06.13	DRAWING NO.	TYPE	DRAWING STATUS
REV	ECN	DESCRIPTION	DRAFT	DATE
01	20230658	100L电气参数增加环境	李凯	2023.06.13
④	A3	1/1 (inch)	200027936	CUSTOMER DRAWING
			已发布	SCALE: 1:1
				SHEET: 1/1

01	20230658	100L电气参数增加环境	李凯	2023.06.13
REV	ECN	DESCRIPTION	DRAFT	DATE

Transfer or duplication of this document as well as the utilization of its contents without the written permission of DEIGSON is prohibited. All rights reserved for patent. 复制或再行发布此文件以及其内容的使用，未经DEIGSON书面许可，是严格禁止的。保留所有权利，侵权必究。