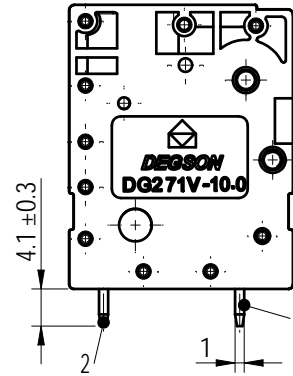
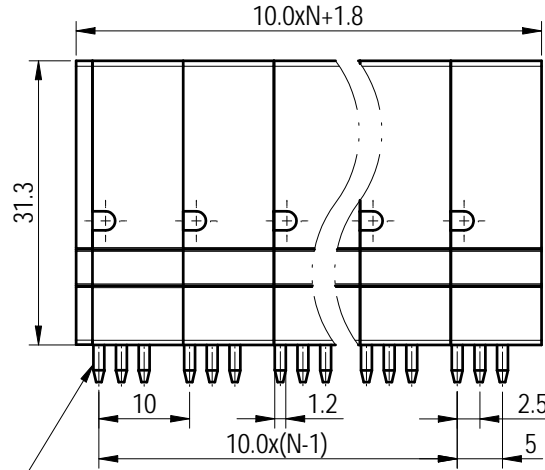
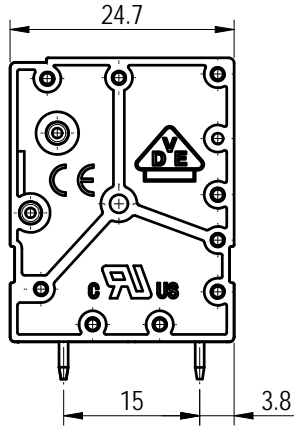
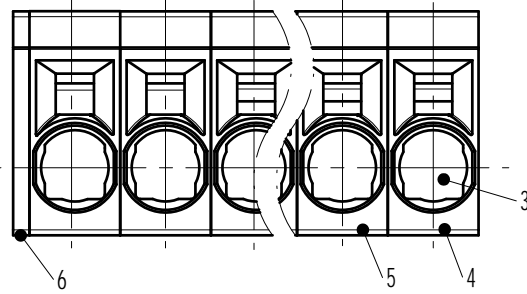
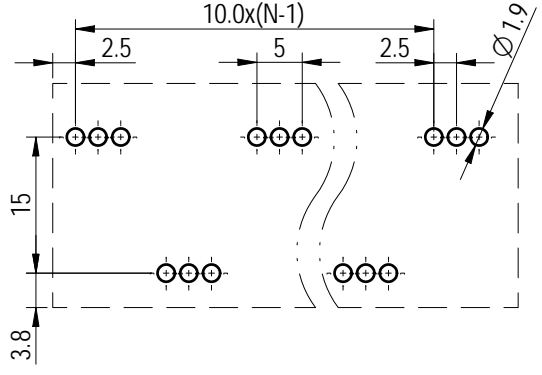
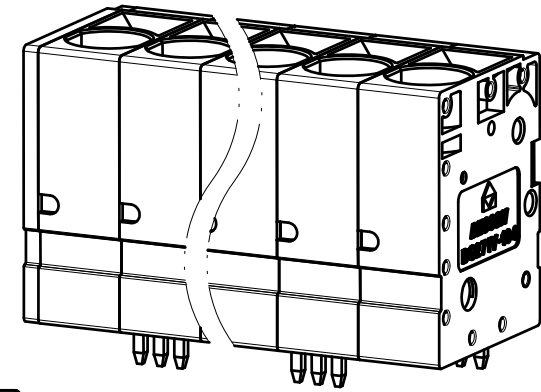


PCB LAYOUT
10.0x(N-1)



公差/General tolerances (mm)													0.1/10		
0	>3	>6	>10	>18	>30	>50	>80	>120	>180	>250	>315	>400	>500	0.1/10	±2'
~3	~6	~10	~18	~30	~50	~80	~120	~180	~250	~315	~400	~500			
±0.12	±0.18	±0.22	±0.26	±0.31	±0.37	±0.57	±0.80	±0.93	±1.05	±1.15	±1.60	±2.20	±2.50		



Based on Cover, the first one is left pin header.

Note: The A&Z (H) in the name means: A (H) and Z (H).

ITEM	NAME OF PART	MATERIAL	NOTES
6	Cover	PA66	UL94V-0
5	Housing 2	PA66	UL94V-0
4	Housing 1	PA66	UL94V-0
3	Spring	Stainless steel	/
2	Pin header 2	Copper	Sn plated
1	Pin header 1	Copper	Sn plated

UL 标准/UL Standard:	B	C	D
额定电压/电流/Rated Voltage(V)/Current(A)	600/70	600/70	600/5
IEC 标准/IEC Standard:			
过压类别/Overvoltage Category/污染等级/Pollution Degree	III/3	III/2	II/2
额定电压/电流/Rated Voltage(V)/Current(A)	1000/76	1000/76	1000/76
额定脉冲电压(KV)/Rate Impulse Voltage(KV)	8	8	8
线径范围(硬线和软线)/Wire Range(rigid and flexible)(AWG/mm²)	20~4/ 0.2~16		
间距/Pitch(mm)/线数范围/Poles	10.0/N=02~12P		
剥线长度/Stripping length(mm)	17~18		
使用温度范围/Operating temperature(°C)	-40~+105		
符合RoHS环保要求/Conform to RoHS	Yes		

		MATERIAL: -	SURFACE/COLOR:		
APPD: 兰春华 2022.08.19		MAT NO./REV: - / 00	MAT STATUS: 批量		
CHKD: 陈招 2022.08.19		NAME			
DRFT: 袁路易 2022.08.19		DG271V-10.0-DA-XXP-1Y-100A&Z(H)			
DRAWING NO.	TYPE	DRAWING STATUS	SCALE	SHEET	
200022096	CUSTOMER DRAWING	已发布	1.2:1	1/1	

REV	ECN	DESCRIPTION	DRFT	DATE
00			袁路易	2022.08.19

Transfer or duplication of this document as well as the utilization or communication of its contents are prohibited unless authorization is granted. Violations will be held for compensation. All rights reserved for patent, utility model or design registrations. 除专利号明确标注外, 否则禁止非法、复制、仿用、无授权文件的传播、复印、更改、复制或任何形式的再生产。 未经授权擅自复制或传播, 侵权者将承担相关法律责任。