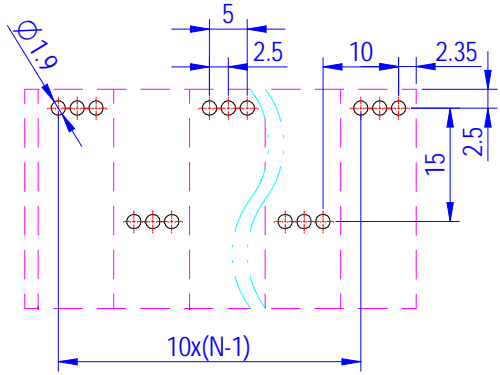
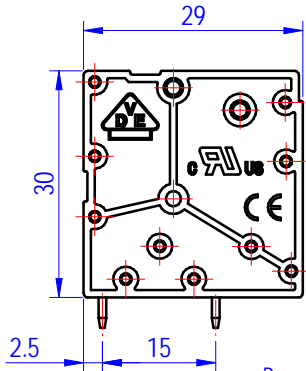
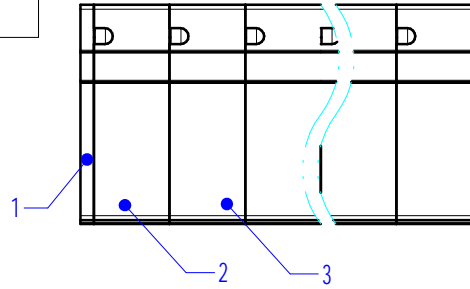


PCB LAYOUT

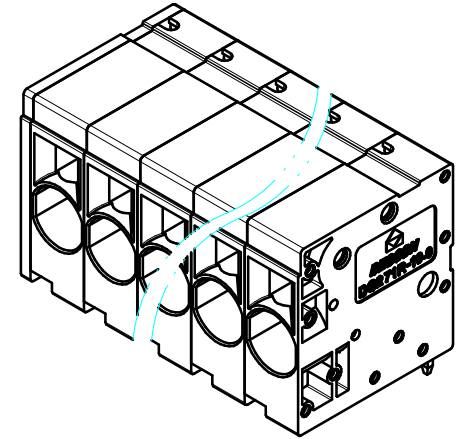
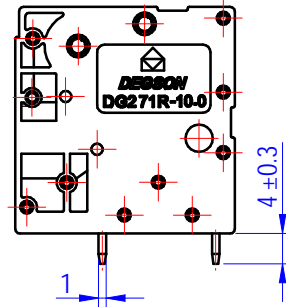
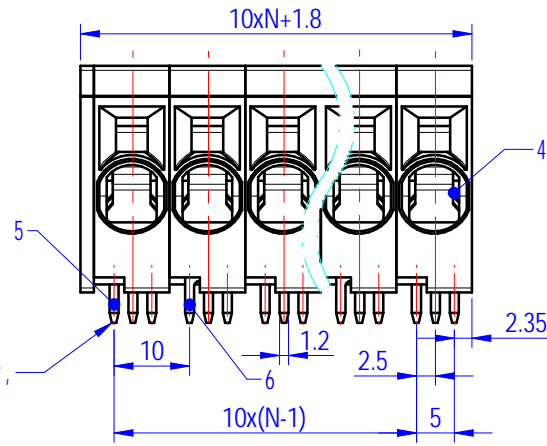


未注公差/General tolerances (mm)												0.1/10	
0	>3	>6	>10	>18	>30	>50	>80	>120	>180	>250	>315		>400
±0.12	±0.18	±0.22	±0.26	±0.31	±0.37	±0.57	±0.80	±0.93	±1.05	±1.15	±1.60	±2.20	±2.50

UL 标准/UL Standard:		B	C	D
额定电压/电流/Rated Voltage(V)/Current(A)		600/70	600/70	/
IEC 标准/IEC Standard:				
过压类别/Overvoltage Category/污染等级/Pollution Degree		III/3	III/2	II/2
额定电压/电流/Rated Voltage(V)/Current(A)		1000/76	1000/76	1000/76
额定脉冲电压(KV)/Rate Impulse Voltage(KV)		8	8	8
线径范围(硬线和软线)/Wire Range(rigid and flexible)(AWG/mm ²)		20~ 4/ 0.2~ 16		
间距/Pitch(mm)/线数范围/Poles		10.0/N= 02~ 12P		
剥线长度/Stripping length(mm)		17~ 18		
使用温度范围/Operating temperature(°C)		-40~ + 105		
符合RoHS环保要求/Conform to RoHS		Yes		



Based on Cover, the first one is left pin header



6	Pin Header 2	Copper	Sn Plated
5	Pin Header 1	Copper	Sn Plated
4	Spring	Stainless steel	/
3	Housing 2	PA66	UL94V-0
2	Housing 1	PA66	UL94V-0
1	Cover	PA66	UL94V-0
ITEM	NAME OF PART	MATERIAL	NOTES

		MATERIAL:		SURFACE/COLOR:	
		MAT NO./REV: / 00		MAT STATUS: 批量	
APPD: 兰春华	2024.06.13	NAME			
CHKD: 曹利彬	2024.06.13	DG271R-10.0-DA-XXP-1Y-100A&Z(H)			
DRFT: 吴明慧	2024.06.13	DRAWING NO.	TYPE	DRAWING STATUS	SCALE
A4		200037299	CUSTOMER DRAWING	已发布	1:1
REV	ECN	DESCRIPTION	DRFT	DATE	SHEET
00			吴明慧	2024.06.13	1/1

Transfer or duplication of this document as well as the utilization or communication of its contents are prohibited unless approved in writing by Degson. All rights reserved for patent. Utility model or design registrations. 除经书面明确授权，否则禁止转让、复制或传播。未经授权，禁止以任何形式或途径进行复制、传播或使用。 Degson 保留所有权利。 未经许可，不得复制或传播本文件内容。 Degson 保留所有权利。 未经许可，不得复制或传播本文件内容。