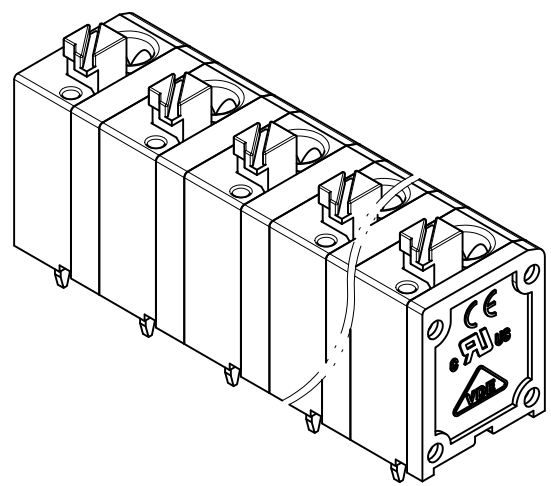


公差/General tolerances (mm)													D	
0	>3	>6	>10	>18	>30	>50	>80	>120	>180	>250	>315	>400		>500
±0.12	±0.18	±0.22	±0.26	±0.31	±0.37	±0.57	±0.80	±0.93	±1.05	±1.15	±1.60	±2.20	±2.50	0.1/10
														±2



Note:  
The A&Z (H) in the name means: A(H) and Z(H).

ITEM	NAME OF PART	MATERIAL	NOTES
6	Pin header	Copper	Sn plated
5	Housing	PA66	UL94V-0
4	Button	PA66	UL94V-0
3	Cover	PA66	UL94V-0
2	Spring	Stainless steel	/
1	Clapboard	PA66	UL94V-0

UL 标准/UL Standard:	B	C	D
额定电压/电流/Rated Voltage(V)/Current(A)	300/8	300/8	300/8
IEC 标准/IEC Standard:			
过压类别/Overvoltage Category/污染等级/Pollution Degree	III/3	III/2	II/2
额定电压/电流/Rated Voltage(V)/Current(A)	/	400/10	/
工频耐压/Withstanding Voltage(V/Min)	/	AC2500	/
线径范围(硬线和软线)/Wire Range(rigid and flexible)(AWG/mm <sup>2</sup> )	20~16 / 0.2~1.5		
间距/Pitch(mm)/线数范围/Poles	7.5(N=01~16P)		
剥线长度/Stripping length(mm)	10~11		
使用温度范围/Operating temperature(°C)	-40~+105		
符合RoHS环保要求/Conform to RoHS	Yes		

MATERIAL:		SURFACE/COLOR:	
APPD: 兰春华	2023.02.16	NAME:	
CHKD: 陈超	2023.02.16	MAT NO./REV:	/ 00
DRFT: 黄徐涛		MAT STATUS: 批量	

DRAWING NO. 200029489				TYPE CUSTOMER DRAWING		DRAWING STATUS work		SCALE 20:1		SHEET 1/1	
-----------------------	--	--	--	-----------------------	--	---------------------	--	------------	--	-----------	--

REV	ECN	DESCRIPTION	DRFT	DATE
01			黄徐涛	2023.02.15