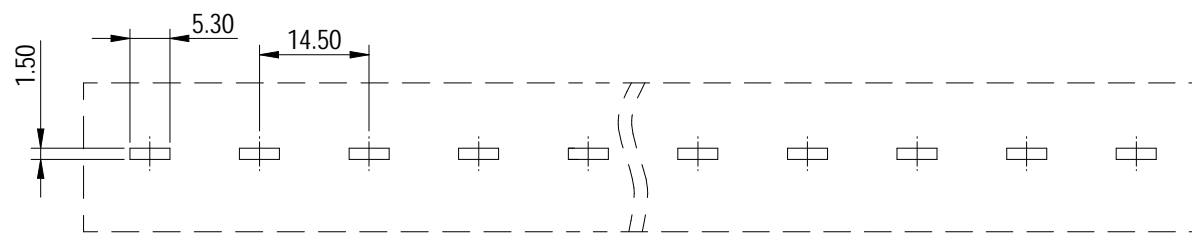
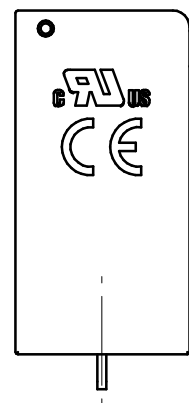
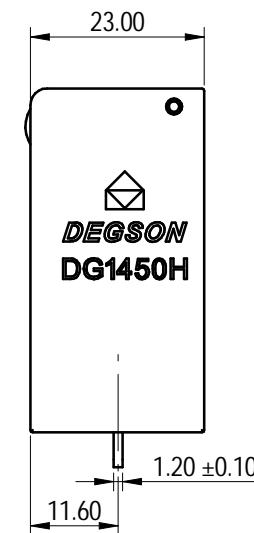
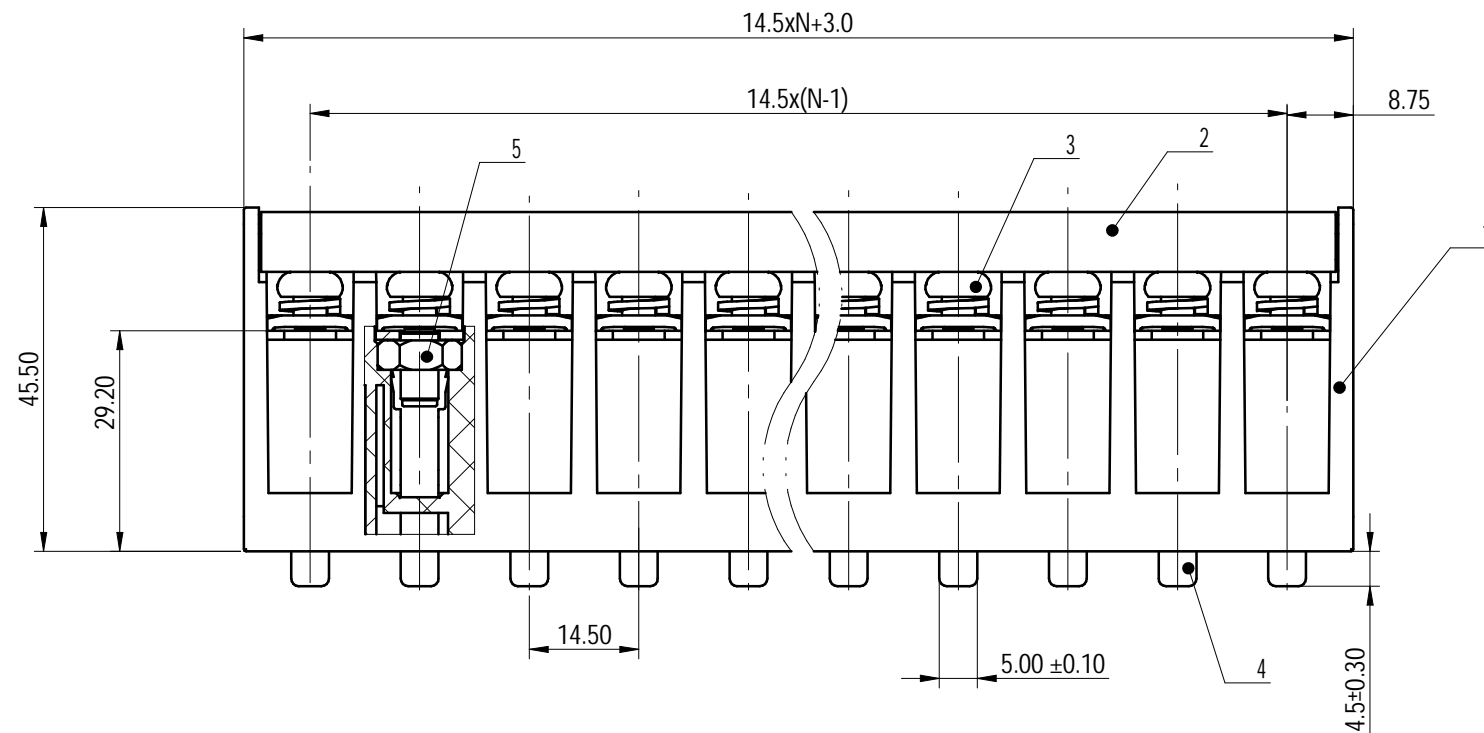
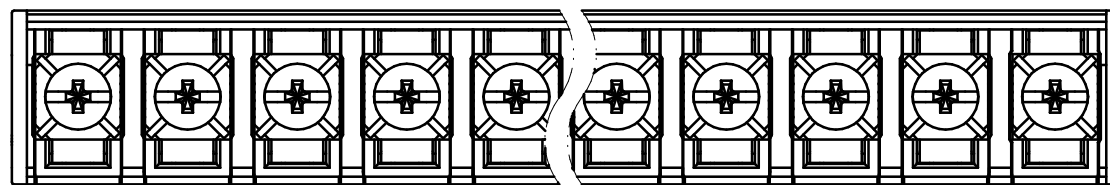
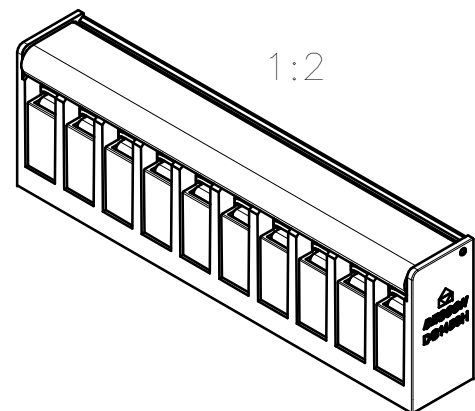


P距方向公差(mm)			其他尺寸公差(mm)					
≤6	6 ~ 10	10 ~ 24	≤30	30 ~ 60	60 ~ 100	100 ~ 150	>150	0.05/10
±0.10	±0.15	±0.25	±0.20	±0.30	±0.50	±0.70	±1.00	±1*

(W/O COVER)



PCB LAYOUT



UL 额定电压/Rated Voltage/Current	600V/45A
UL 工频耐压/R.M.S. withstand voltage	AC 2200V/1Min
IEC 额定电压/Rated Voltage/Current	1000V/76A
额定脉冲电压/Rate Impulse Voltage(KV)	4
线径范围/Wire range(AWG/mm <sup>2</sup> )	22~8/0.5~16
线数范围/Poles	N=02~14P
重点管符号/Key controlled symbol	*
螺丝扭矩/Tightening torque(N·m/Lb.in)	M5, 2.0/17.54
使用温度范围/Operating temperature(°C)	-40~+120

5	Nut	STEEL	Zn Plated
4	Pin header	BRASS	Sn Plated
3	Screws	STEEL	Zn Plated
2	Cover	PC	UL94V-0
1	Housing	PBT	UL94V-0
ITEM	NAME OF PART	MATERIAL	NOTES

<b>DEGSON</b>		MATERIAL:	SURFACE/COLOR:	
APPD: 彭敏	2022.05.30	MAT NO./REV: -	MAT STATUS: 批量	
CHKD: 高卫国	2022.05.30	NAME		
DRFT: 黄仁锦	2022.05.27	DG1450H-B-05P-13-40A&Z(H)		
REV	ECN	DESCRIPTION	DRAWING NO.	TYPE
00			200074321	CUSTOMER DRAWING
			DRAWING STATUS	SCALE
			已发布	1:1
			SHEET	1/1

00			黄仁锦	2022.05.27
REV	ECN	DESCRIPTION	DRFT	DATE

Transfer or duplication of this document as well as the utilization or communication of its contents are prohibited unless explicit authorization is granted. Violations will be liable for compensation. All rights reserved for patent, utility model or design registrations. 复制或再行传播此文件, 或在未获明确授权的情况下, 以任何形式利用其内容, 均属于侵权行为, 侵权者将承担相关法律责任。本公司保留所有权利。