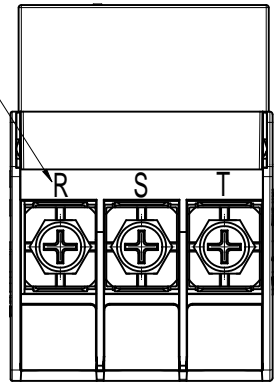
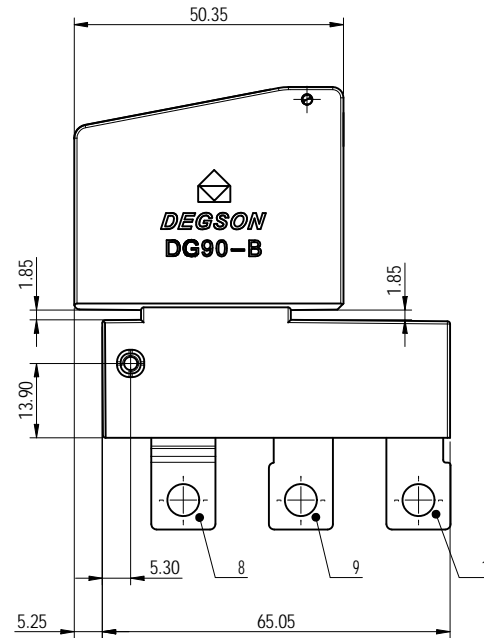
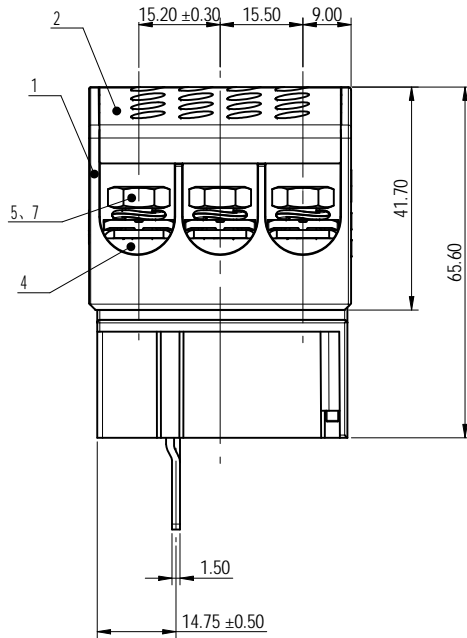
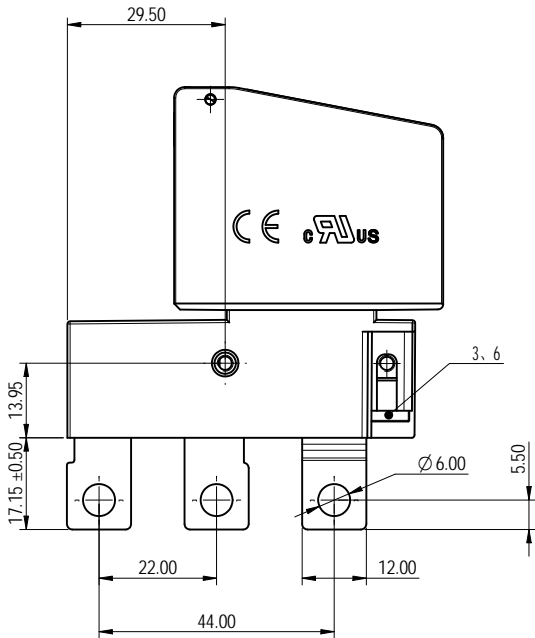
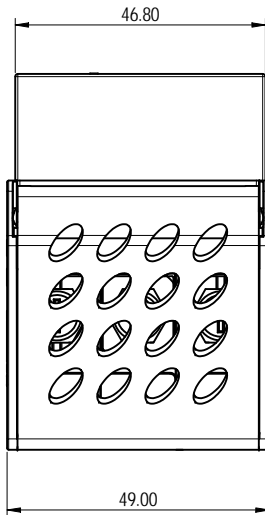


公差/General tolerances (mm)													D	
0	>3	>6	>10	>18	>30	>50	>80	>120	>180	>250	>315	>400	>500	0.1/10
~	~	~	~	~	~	~	~	~	~	~	~	~	~	N
±0.12	±0.18	±0.22	±0.26	±0.31	±0.37	±0.57	±0.80	±0.93	±1.05	±1.15	±1.60	±2.20	±2.50	±2

Color:Yellow
Font:Arial
Height:4.5mm
Width scale:1.0



Remove Cover



Note: The A&Z(H) in the name means:A(H)and Z(H).

ITEM	NAME OF PART	MATERIAL	NOTES
10	Current carrier 3	Copper alloy	Ni Plated
9	Current carrier 2	Copper alloy	Ni Plated
8	Current carrier 1	Copper alloy	Ni Plated
7	Screw	Steel	Ni Plated
6	Nut 2	Steel	Zn Plated
5	Nut 1	Steel	Ni Plated
4	Column	PBT	UL94V-0
3	Cover 2	PBT	UL94V-0
2	Cover 1	PC	UL94V-2
1	Housing	PBT	UL94V-0

UL 标准/UL Standard	B	C	D
额定电压/电流/Rated Voltage(V)/Current(A)	600/65(6AWG) / 600/90(4AWG)	/	/
螺丝扭矩/Torque Tightening(N·m/Lb.in)	M6: 3.5/31		
线径范围(硬线和软线)/Wire Range(rigid and flexible)(AWG/mm ²)	22~6AWG 4AWG (st) OT cold-pressed end with insulating layer		
线数范围/Poles	N=03P		
剥线长度/Stripping length(mm)	20~22		
使用温度范围/Operating temperature(°C)	-30~+120		
符合RoHS环保要求/Conform to RoHS	Yes		

DEGSON MATERIAL: SURFACE/COLOR: MAT NO./REV: - / 00 MAT STATUS: 批量

NAME: **DG90-B-03P-1Y-00A&Z(H)**

APPD: 蓝美凡 2023.11.07
CHKD: 曹利彬 2023.11.07
DRFT: 姜民浩 2023.11.07

DRAWING NO. 200245730 TYPE CUSTOMER DRAWING DRAWING STATUS 已发布 SCALE 1:1 SHEET 1/1

REV	ECN	DESCRIPTION	DRFT	DATE	SCALE	SHEET
00						
①	A3					

Transfer or duplication of this document as well as the utilization of its contents without the written permission of DEGSON is prohibited. All rights reserved for patent. 未经授权复制或传播本文件及其内容，或未经许可使用其内容，均属侵权行为。DEGSON 保留所有权利。如有侵权，我们将依法追究法律责任。