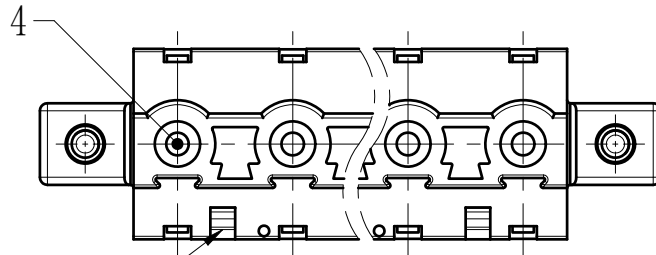
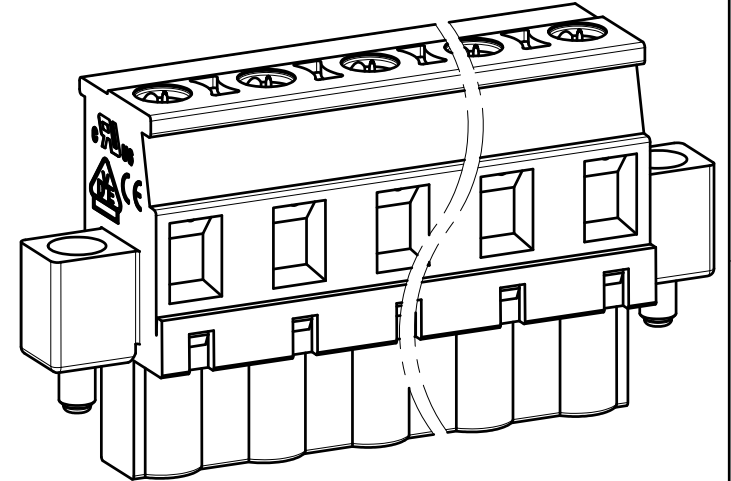
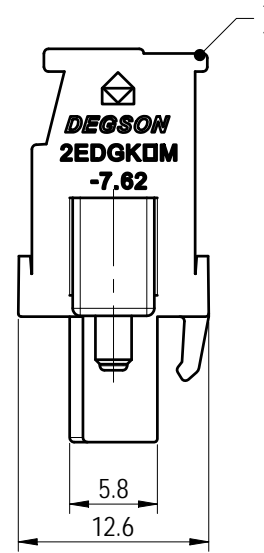
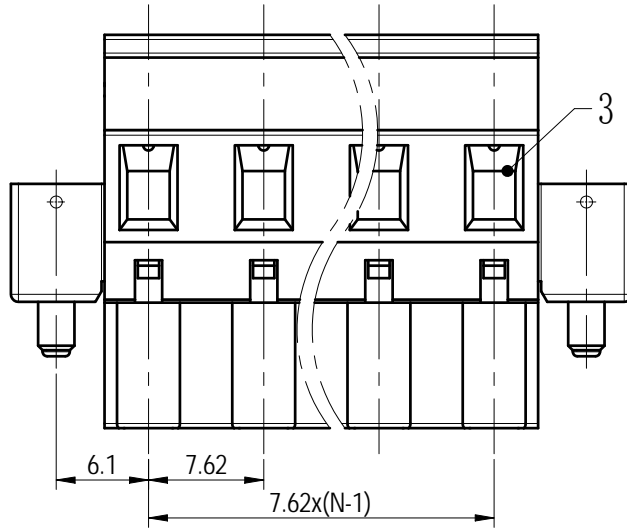
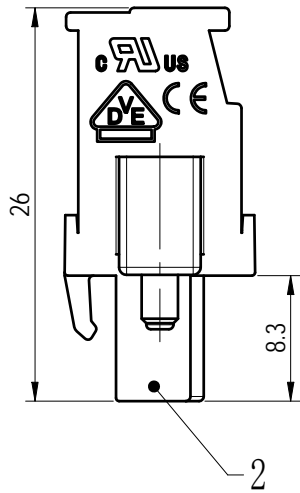
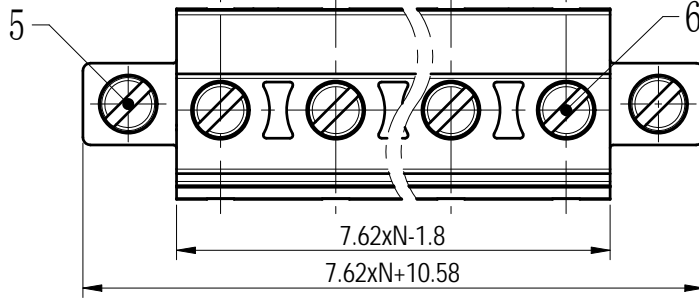


Transfer or duplication of this document as well as the utilization or communication of its contents are prohibited unless expressly permitted. Violations will be held for compensation. All rights reserved for patent, utility model or design registrations. 除专利权明确标注外, 否则禁止非法、复制、仿用、二次开发本产品的程序, 未经本厂书面许可, 擅自复制或传播本厂的产品, 一经发现, 必究。 本公司保留对涉及发明、实用新型和外观设计的所有权利。

未注公差/General tolerances (mm)												0.1/10 ±2'	
0	>3	>6	>10	>18	>30	>50	>80	>120	>180	>250	>315		>400
~3	~6	~10	~18	~30	~50	~80	~120	~180	~250	~315	~400	~500	>500
±0.12	±0.18	±0.22	±0.26	±0.31	±0.37	±0.57	±0.80	±0.93	±1.05	±1.15	±1.60	±2.20	±2.50



02P:Clasp on the left from this view

UL 标准/UL Standard:	B	C	D
额定电压/电流/Rated Voltage(V)/Current(A)	300/15	/	300/10
IEC 标准/IEC Standard:			
过压类别/Overvoltage Category/污染等级/Pollution Degree	III/3	III/2	II/2
额定电压/电流/Rated Voltage(V)/Current(A)	/	400/18	/
额定脉冲电压(KV)/Rate Impulse Voltage(KV)	/	4	/
螺丝扭矩/Torque Tightening(N·m/Lb.in)	M3, 0.6/5.32		
线径范围(硬线和软线)/Wire Range(rigid and flexible)(AWG/mm ²)	28~12/ 1.0~2.5		
间距/Pitch(mm)/线数范围/Poles	7.62/N=02~12P		
剥线长度/Stripping length(mm)	7		
使用温度范围/Operating temperature(°C)	-40~+105		
符合RoHS环保要求/Conform to RoHS	Yes		

Note:
The A&Z(H) in the name means: A(H) and Z(H).

ITEM	NAME OF PART	MATERIAL	NOTES
6	Screw 2	Steel	M3/Zn Plated
5	Screw 1	Steel	M2.5/Zn Plated
4	Clamp	Copper alloy	Sn Plated
3	Cage	Copper alloy	M3/Ni Plated
2	Cover	PA66	UL94V-0
1	Housing	PA66	UL94V-0

		MATERIAL:	SURFACE/COLOR:	
APPD: 兰春华	2023.03.07	MAT NO./REV: - / 00	MAT STATUS: 批量	
CHKD: 龚耀志	2023.03.07	NAME		
DRFT: 代永康	2023.03.07	2EDGKBM-7.62-XXP-1Y-1000A&Z(H)		
REV	ECN	DESCRIPTION	DRAWING NO.	TYPE
00		代永康	200020940	CUSTOMER DRAWING
DRFT	DATE	DRWT	DRAWING STATUS	SCALE
代永康	2023.03.07	代永康	已发布	2:1
A4		SHEET		1/1

REV	ECN	DESCRIPTION	DRFT	DATE
00		代永康	2023.03.07	