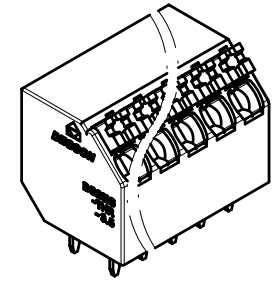
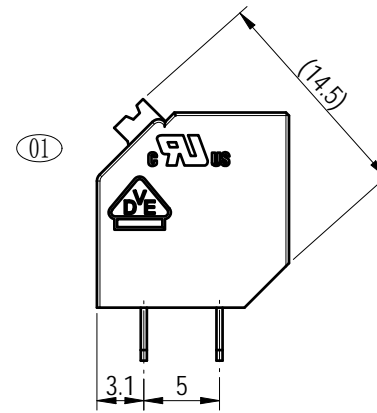
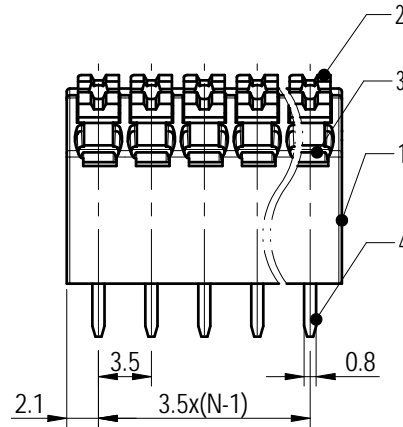
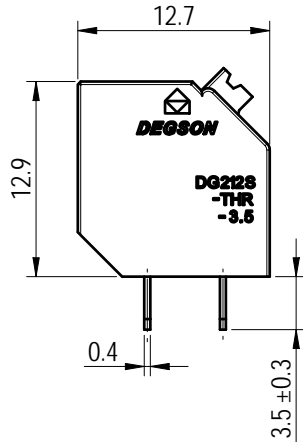
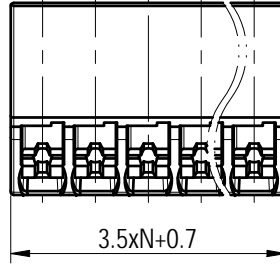
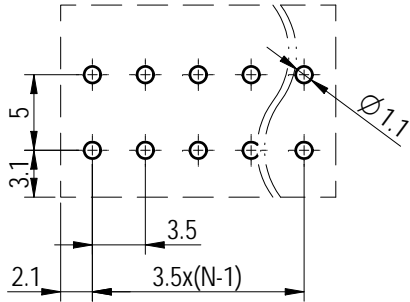


PCB LAYOUT



未注公差/General tolerances (mm)														
0	>3	>6	>10	>18	>30	>50	>80	>120	>180	>250	>315	>400	0.1/10 ±2'	
~3	~6	~10	~18	~30	~50	~80	~120	~180	~250	~315	~400	>500		
±0.12	±0.18	±0.22	±0.26	±0.31	±0.37	±0.57	±0.80	±0.93	±1.05	±1.15	±1.60	±2.20	±2.50	

UL 标准/UL Standard:	B	C	D
额定电压/电流/Rated Voltage(V)/Current(A)	300/12	/	300/10
IEC 标准/IEC Standard:			
过压类别/Overvoltage Category/污染等级/Pollution Degree	III/3	III/2	II/2
额定电压/Rated Voltage(V)	160	160	320
额定电流/Rated Current(A)	02P:17.5		
额定电流/Rated Current(A) Tu=20°C	24P:16		
额定电流/Rated Current(A) Tu=40°C	24P:14		
额定脉冲电压(KV)/Rate Impulse Voltage(KV)	2.5	2.5	2.5
线径范围(硬线和软线)/Wire Range(rigid and flexible)(AWG/mm²)	28~14 / 0.2~1.5		
间距/Pitch(mm)/线数范围/Poles	3.5/N=02~24P		
剥线长度/Stripping length(mm)	9		
使用温度范围/Operating temperature(°C)	-40~+130		

4	Pin Header	Copper Alloy	Sn Plated
3	Spring	Stainless Steel	/
2	Button	PA66-GF	UL94V-0
1	Housing	Thermoplastic	UL94V-0
ITEM	NAME OF PART	MATERIAL	NOTES

DEGSON		MATERIAL:	SURFACE/COLOR:		
APPD: 兰春华	2023.08.01	MAT NO./REV: / 00.01	MAT STATUS: 批量		
CHKD: 张玉华	2023.08.01	NAME			
DRFT: 陈迪辉	2023.07.27	DG212S-THR-3.5-XXP-1Y-00A&Z (H)			
REV	ECN	DRAWING NO.	TYPE	DRAWING STATUS	SCALE
01		200063475	CUSTOMER DRAWING	已发布	2:1
					SHEET
					1/1

REV	ECN	DESCRIPTION	DRFT	DATE	比例 (inch)
01		IX Add VDE certification mark	陈迪辉	2023.07.27	A4

Transfer or duplication of this document as well as the utilization or communication of its contents are prohibited unless authorized in advance. Violations will be treated as illegal activities. All rights reserved for patent. 除专利声明外，其他内容均受法律保护。未经许可，不得复制或传播。本公司保留对涉及发明、实用新型及外观设计专利的权利。