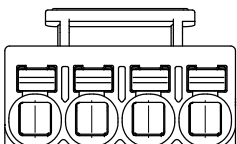
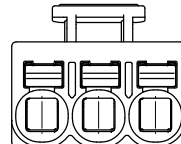
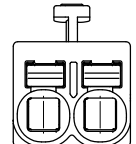
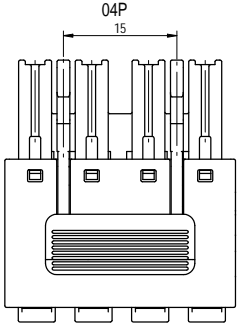
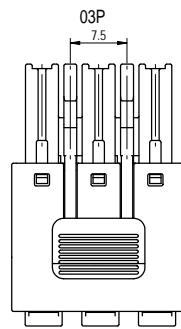
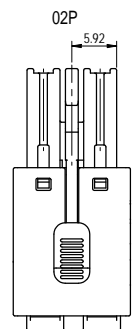
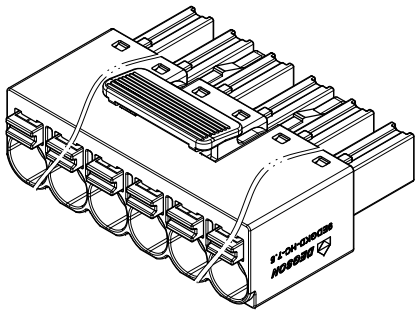
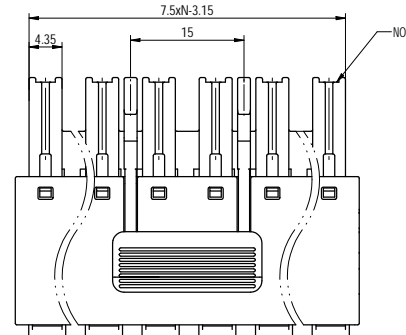


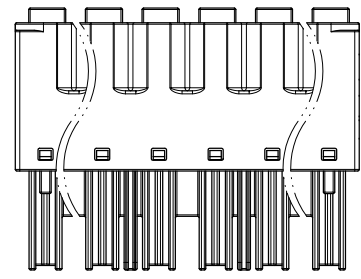
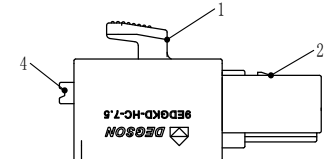
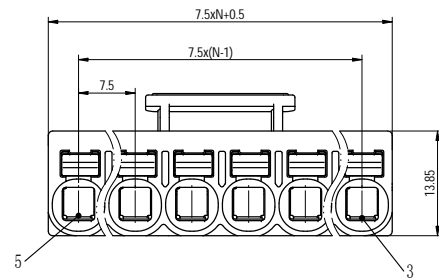
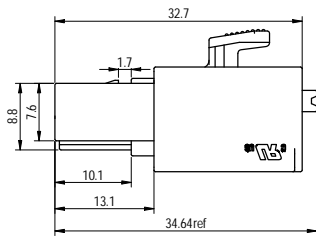
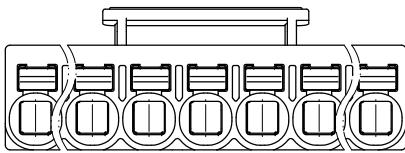
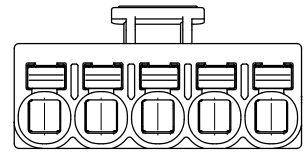
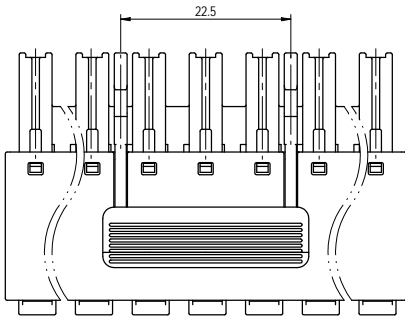
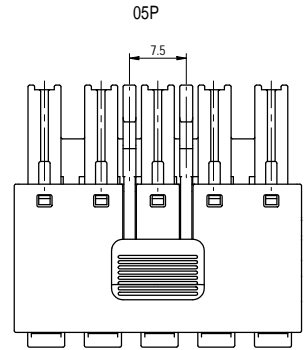
公差/General Tolerances(mm)											
0	>0	>6	>10	>18	>30	>50	>80	>120	>180	>250	>400
-	0	0.1	0.15	0.2	0.3	0.4	0.5	0.6	0.8	1.0	1.5
0	0.12	0.18	0.22	0.28	0.33	0.37	0.43	0.51	0.60	0.83	1.10
0.12	0.18	0.22	0.28	0.33	0.37	0.43	0.51	0.60	0.83	1.10	1.50
0.12	0.18	0.22	0.28	0.33	0.37	0.43	0.51	0.60	0.83	1.10	1.50
UL 标准/UL Standard		B		C		F					
额定电压/电压/Rated Voltage(V/Current(A))		800/25		600/25		600/25		600/25		600/25	
IEC 标准/IEC Standard		800/25		600/25		600/25		600/25		600/25	
额定电压/电压/Rated Voltage(V/Current(A))		800/25		800/25		800/25		800/25		1000/25	
额定冲击电压(UKI) / Rated Impulse Voltage(kV)		6		6		6		6		6	
线径范围(导线和软线)/Wire Range(Solid and Flexible)(AWG/mm)		18-10/1.0-6.0		18-10/1.0-6.0		18-10/1.0-6.0		18-10/1.0-6.0		18-10/1.0-6.0	
间距/Pitch(mm)/间距/Pitch		7.5/Ns(02-12P)		7.5/Ns(02-12P)		7.5/Ns(02-12P)		7.5/Ns(02-12P)		7.5/Ns(02-12P)	
插线长度/Stripping length(mm)		12		12		12		12		12	
工作温度范围/Operating temperature(°C)		-40~+105		-40~+105		-40~+105		-40~+105		-40~+105	
符合RoHS环保要求/Conform to RoHS		Yes		Yes		Yes		Yes		Yes	



06, 08, 10, 12 P



07, 09, 11 P



5	Spring	Stainless steel	/
4	Button	PA66+GF	UL94V-0
3	Clamp	Copper alloy	Sn Plated
2	Cover	PA66+GF	UL94V-0
1	Housing	PA66	UL94V-0
ITEM	NAME OF PART	MATERIAL	NOTES

DESIGN MATERIAL: / SURFACE COLOR: /
 MAT. NO. / REV: / 00 MAT STATUS: /
 APPRO. 正样单 2023.08.22 NAME 9EDGD-HC-7.5-XXP-1Y-00M&Z(H)
 CRE. 陈耀宏 2023.08.22
 DATE 2023.08.22
 DRAWING NO. 200112144 TYPE CUSTOMER DRAWING DRAWING STATUS work SCALE 2:1 SHEET 1/2

Drawing of this product is for reference only. The actual product shall be confirmed by the customer. The customer shall be responsible for the accuracy of the drawing. The customer shall be responsible for the accuracy of the drawing. The customer shall be responsible for the accuracy of the drawing.