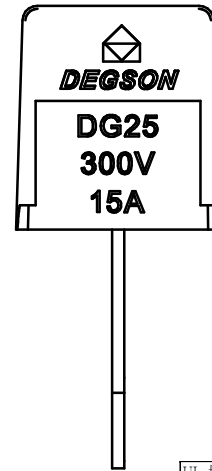
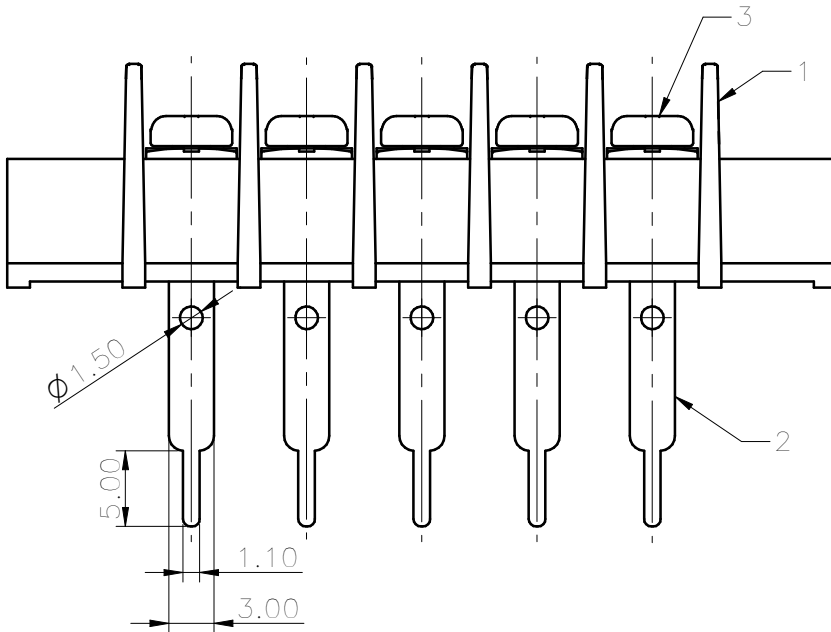
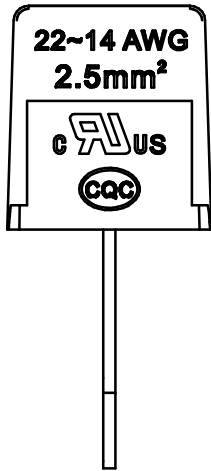


Pitch range in mm		Nominal dimension range in mm						-	∩	∇
TO 6	Over 6 TO 10	Over 10 TO 24	TO 30	Over 30 TO 60	Over 60 TO 100	Over 100 TO 150	Over 150	0.1/10		
±0.15	±0.20	±0.30	±0.30	±0.50	±0.70	±1.00	±1.30	±2°	∠	



Note: The A&Z(H) in the name means :A(H) and Z(H).

ITEM	NAME OF PART	MATERIAL	NOTES
3	Screw	Steel	M3/Ni Plated
2	Pin header	Copper alloy	Sn Plated
1	Housing	PA66	UL94V-0

UL 标准/UL Standard:		B	C	D
额定电压/电压/Rated Voltage(V)/Current(A)		300V/15	/	/
螺丝扭矩/Torque Tightening(N · m/Lb.in)			M3, 0.5/4.43	
线径范围(硬线和软线)/Wire Range(rigid and flexible)(AWG/mm²)			22~14	
间距/Pitch(mm)/线数范围/Poles			7.62/N=02~24P	
使用温度范围/Operating temperature(°C)			-40~+105	
符合 RoHS 环保要求/Conform to RoHS			Yes	



MATERIAL: /	SURFACE/COLOR: /
MAT NO./REV: /	MAT STATUS: /

APPD: 核准人	核准日期
CHKD: 审核人	审核日期
DRFT: 设计人	设计日期

NAME				
DRAWING NO. 200058471				
TYPE CUSTOMER DRAWING				
DRAWING STATUS /				
SCALE 2:1				
SHEET 1/1				

REV	ECN	DESCRIPTION	DRFT	DATE
00	/	/	/	/

Transfer or duplication of this document as well as the utilization or communication of its contents are prohibited unless authorized in writing by Degson. All rights reserved for patent, utility model or design registrations. 除专利、实用新型、外观设计、发明专利、软件著作权、集成电路布图设计专有权、商业秘密和与经营活动有关的知识产权外，其他知识产权均归德松公司所有。