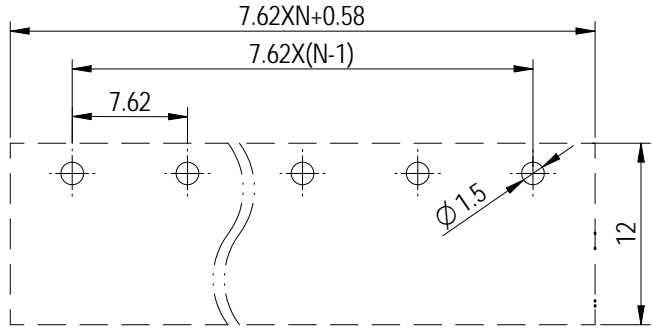
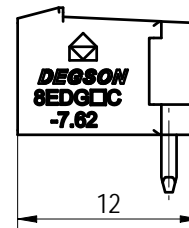
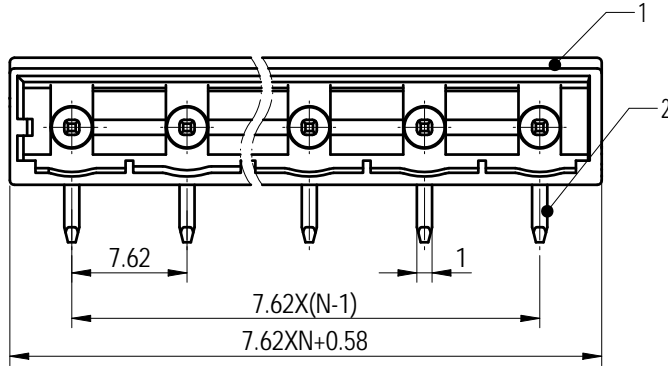
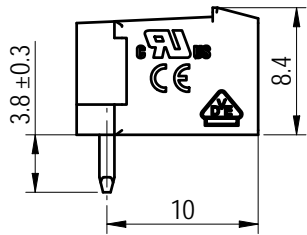
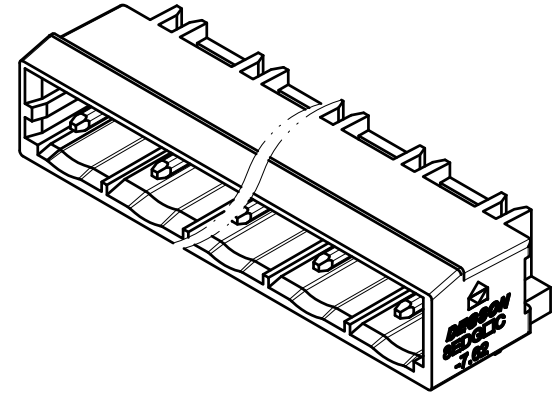
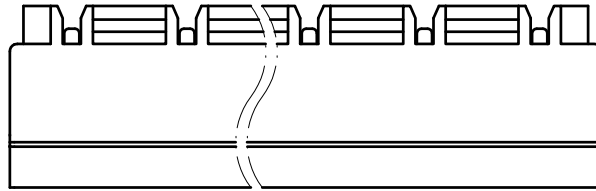


PCB LAYOUT



公差/General tolerances (mm)													0.1/10	
0 ~ 3	>3 ~ 6	>6 ~ 10	>10 ~ 18	>18 ~ 30	>30 ~ 50	>50 ~ 80	>80 ~ 120	>120 ~ 180	>180 ~ 250	>250 ~ 315	>315 ~ 400	>400 ~ 500	>500	0.1/10
±0.12	±0.18	±0.22	±0.26	±0.31	±0.37	±0.57	±0.80	±0.93	±1.05	±1.15	±1.60	±2.20	±2.50	±2'



ITEM	NAME OF PART	MATERIAL	NOTES
2	Pin Header	Copper	Sn Plated
1	Housing	PA66	UL94V-0

UL 标准/UL Standard:				B	C	D
额定电压/电流/Rated Voltage(V)/Current(A)				300/15	150/15	300/10

IEC 标准/IEC Standard:						
过压类别/Overvoltage Category/污染等级/Pollution Degree				III/3	III/2	IV/2
额定电压/电流/Rated Voltage(V)/Current(A)				400/20	/	/
额定脉冲电压(KV)/Rate Impulse Voltage(KV)				4	/	/
间距/Pitch(mm)/线数范围/Poles				7.62/N=02~12P		
使用温度范围/Operating temperature(°C)				-40~+105		
符合RoHS环保要求/Conform to RoHS				Yes		

		MATERIAL:	SURFACE/COLOR: PANTONE 7534U			
		MAT NO./REV: 10030010384-1 / 00	MAT STATUS: 批量			
APPD: 兰春华	2024.11.19	NAME				
CHKD: 龚耀志	2024.11.19	8EDGRC-7.62-XXP-11-01A&Z(H)				
DRFT: 牛泰	2024.11.19	DRAWING NO. 200319814	TYPE CUSTOMER DRAWING	DRAWING STATUS 已发布	SCALE 2:1	SHEET 1/2

REV	ECN	DESCRIPTION	DRFT	DATE
00			牛泰	2024.11.19

Transfer or duplication of this document as well as the utilization or communication of its content are prohibited unless authorized in writing by DEGSON. All rights reserved for patent. 除专利声明外，其他内容均受法律保护。未经授权，不得复制或传播。 0.1/10