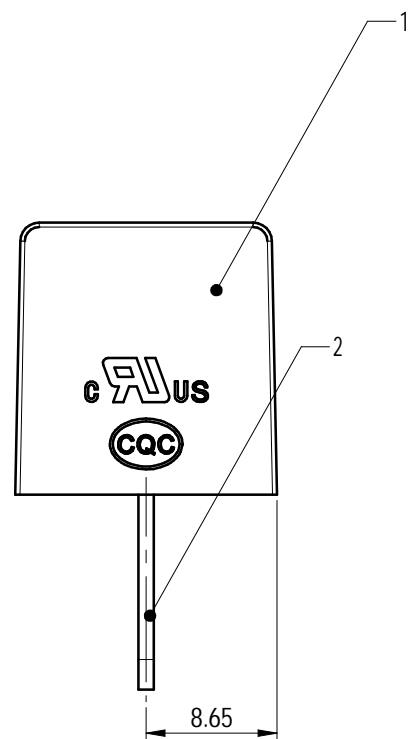
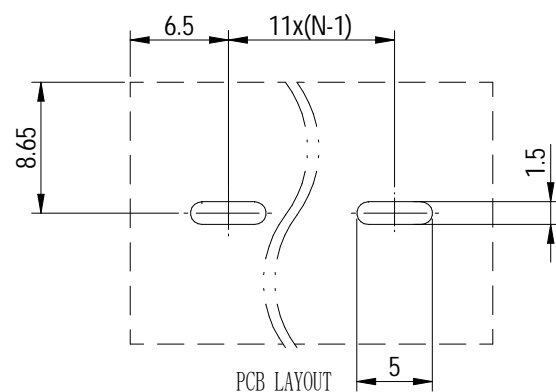
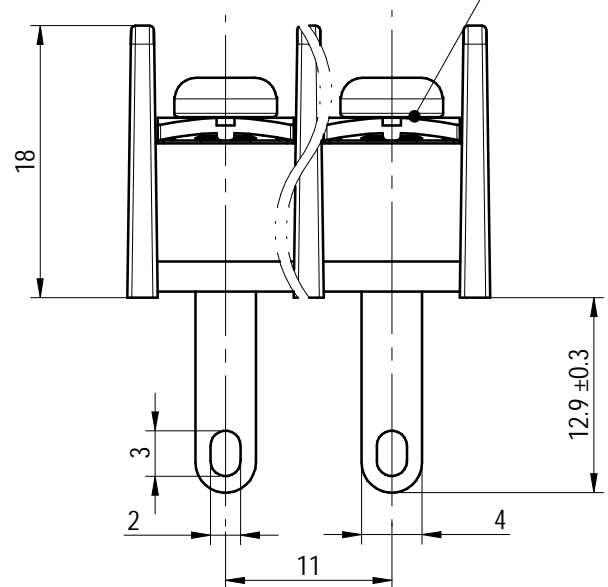
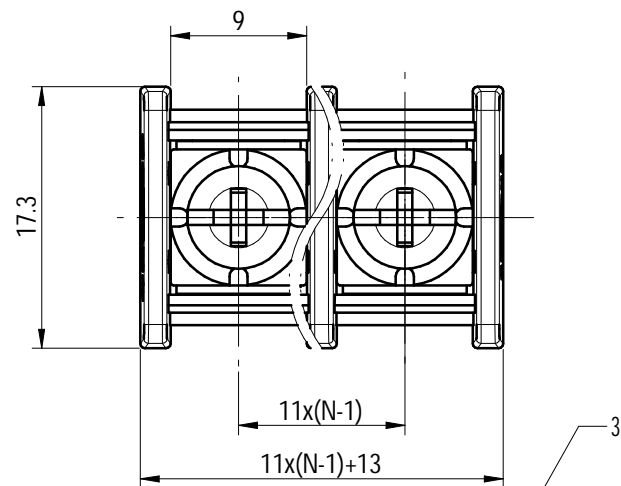
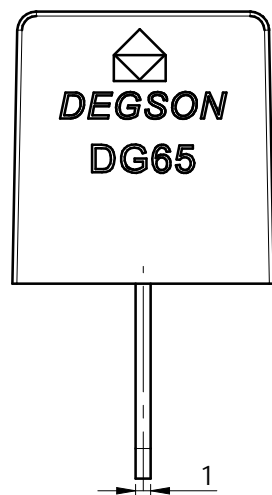


未注公差/General tolerances (mm)											0.1/10 ±2'		
0 ~ 3	>3 ~ 6	>6 ~ 10	>10 ~ 18	>18 ~ 30	>30 ~ 50	>50 ~ 80	>80 ~ 120	>120 ~ 180	>180 ~ 250	>250 ~ 315		>315 ~ 400	>400 ~ 500
±0.12	±0.18	±0.22	±0.26	±0.31	±0.37	±0.57	±0.80	±0.93	±1.05	±1.15	±1.60	±2.20	±2.50



Note: The A&Z(H) in the name means :A(H) and Z(H)

ITEM	NAME OF PART	MATERIAL	NOTES
3	Screw	Steel	M4/Ni plated
2	Pin header	Copper alloy	M4/Sn Plated
1	Housing	PA66	UL94V-0

UL 标准/UL Standard:	B	C	D
额定电压/电流/Rated Voltage(V)/Current (A)	300/30	/	300/10
螺丝扭矩/Torque Tightening (N · m/Lb.in)	M4, 1.2/10.53		
线径范围(硬线和软线)/Wire Range (rigid and flexible) (AWG/mm ²)	22~10		
间距/Pitch (mm)/线数范围/Poles	11/N=02~22P		
剥线长度/Stripping length (mm)	11~13		
使用温度范围/Operating temperature (°C)	-40~+105		
符合 RoHS 环保要求/Conform to RoHS	Yes		

DEGSON		MATERIAL: /	SURFACE/COLOR: /		
APPD: 核准人		MAT NO./REV: /		MAT STATUS: /	
CHKD: 审核人		NAME			
DRFT: 设计人		DG65H-B-XXP-1Y-00A&Z(H)			
00	/	/	/	/	/
REV	ECN	DESCRIPTION	DRFT	DATE	
			A3	(inch)	
DRAWING NO.	TYPE	DRAWING STATUS	SCALE	SHEET	
200321196	CUSTOMER DRAWING	/	2:1	1/1	

Transfer or duplication of this document as well as the utilization or communication of its contents are prohibited unless explicit authorization is granted. Violations will be liable for compensation. All rights reserved for patent, utility model or design registrations. 除经书面许可外, 任何复制或传播行为, 未经许可, 均属侵权行为。本公司保留所有权利。 未经授权, 不得复制或传播。 侵权必究。