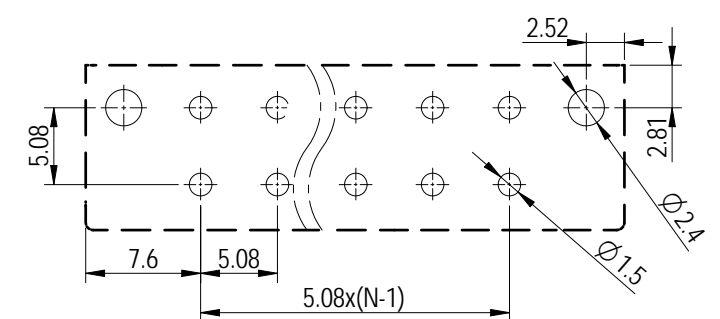
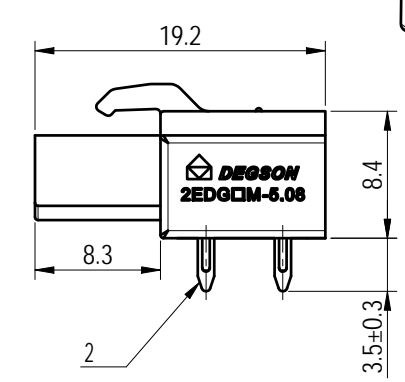
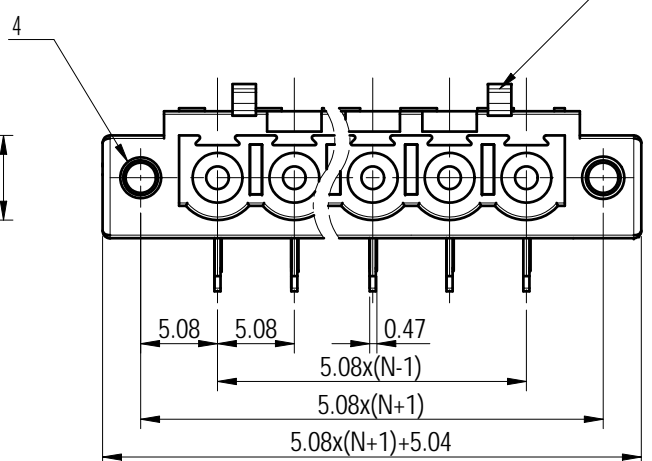
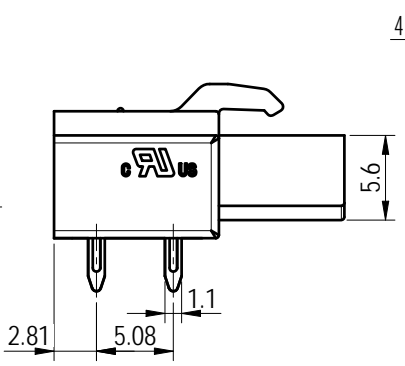
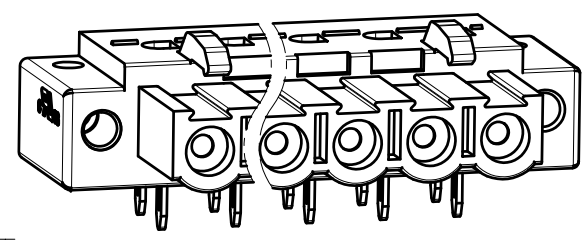
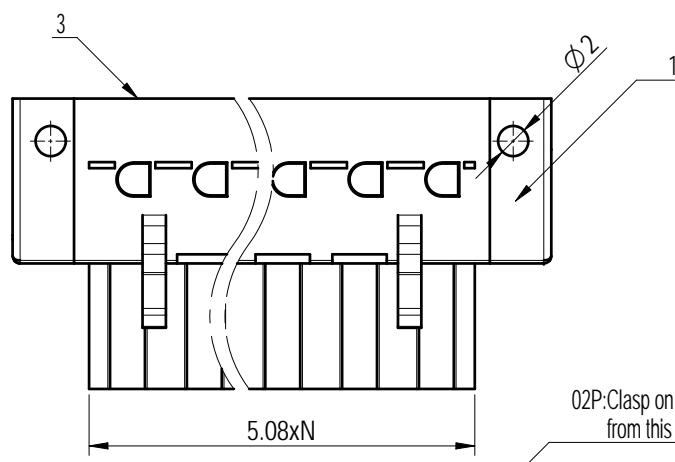


Transfer or duplication of this document as well as the utilization or communication of its content is prohibited unless authorized in writing. All rights reserved for patent, utility model or design registrations. 除专利、实用新型、外观设计注册外，其他内容均受版权保护。未经许可，不得复制或传播。 本公司保留对涉及发明、实用新型和外观设计的所有权利。

未注公差/General tolerances (mm)												0.1/10	
0	>3	>6	>10	>18	>30	>50	>80	>120	>180	>250	>315		>400
~3	~6	~10	~18	~30	~50	~80	~120	~180	~250	~315	~400	~500	>500
±0.12	±0.18	±0.22	±0.26	±0.31	±0.37	±0.57	±0.80	±0.93	±1.05	±1.15	±1.60	±2.20	±2.50

UL 标准/UL Standard:	B	C	D
额定电压/电流/Rated Voltage(V)/Current(A)	300/15	/	300/10
IEC 标准/IEC Standard:			
过压类别/Overvoltage Category/污染等级/Pollution Degree	III/3	III/2	II/2
额定电压/电流/Rated Voltage(V)/Current(A)	/	320/20	/
额定脉冲电压(KV)/Rate Impulse Voltage(KV)	/	4	/
间距/Pitch(mm)/线数范围/Poles	5.08/N=02~24P		
使用温度范围/Operating temperature(°C)	-40~+105		
符合RoHS环保要求/Conform to RoHS	Yes		



Note:
The A&Z(H) in the name means: A(H) and Z(H).

ITEM	NAME OF PART	MATERIAL	NOTES
4	Nut	Copper Alloy	M2.5
3	Cover	PA66	UL94V-0
2	Clamp	Copper Alloy	Sn Plated
1	Housing	PA66	UL94V-0

DEGSON		MATERIAL:	SURFACE/COLOR:	
APPD: 兰春华	2023.03.03	MAT NO./REV: - / 00	MAT STATUS: 批量	
CHKD: 龚耀志	2023.02.27	NAME		
DRFT: 代永康	2023.02.27	2EDGAM-5.08-XXP-1Y-00A&Z(H)		
DRAWING NO. 200020993	TYPE CUSTOMER DRAWING	DRAWING STATUS 已发布	SCALE 2:1	SHEET 1/1

REV	ECN	DESCRIPTION	DRFT	DATE
00			代永康	2023.02.27