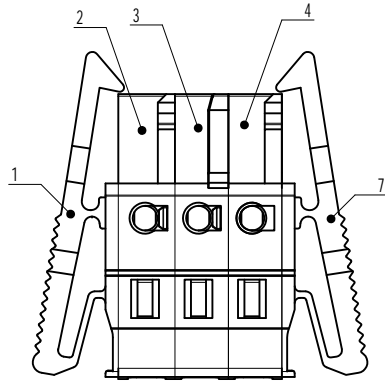
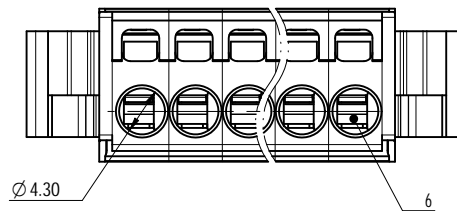
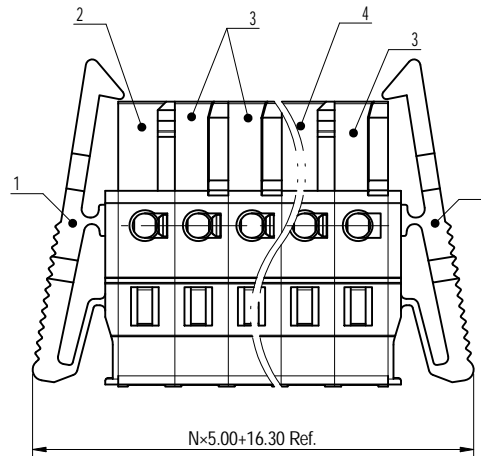
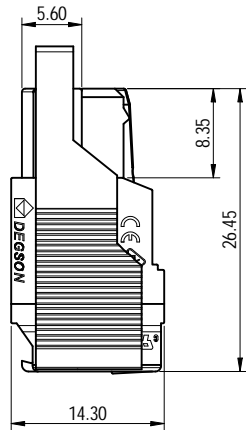
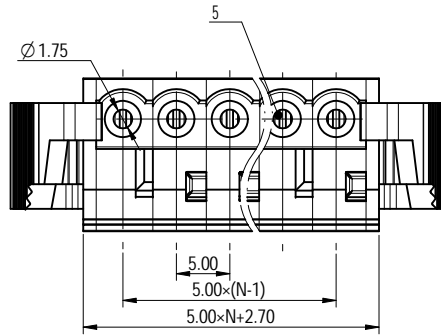


02P



03P



公差/General tolerances (mm)											D		
0	>3	>6	>10	>18	>30	>50	>80	>120	>180	>250		>315	>400
~	~	~	~	~	~	~	~	~	~	~	~	~	~
±0.12	±0.18	±0.22	±0.26	±0.31	±0.37	±0.57	±0.80	±0.93	±1.05	±1.15	±1.60	±2.20	±2.50

A

B

C

D

E

F

Note: The A&Z (H) in the name means: A (H) and Z (H).

ITEM	NAME OF PART	MATERIAL	NOTES
7	Cover 2	PA66	UL94V-0
6	Spring	Stainless Steel	/
5	Clamp	Copper alloy	Sn Plated
4	Housing 2	PA66	UL94V-0
3	Housing 1	PA66	UL94V-0
2	Housing	PA66	UL94V-0
1	Cover 1	PA66	UL94V-0

UL 标准/UL Standard:	B	C	D
额定电压/电流/Rated Voltage(V)/Current(A)	300/15	/	/
IEC 标准/IEC Standard:			
过压类别/Overvoltage Category/污染等级/Pollution Degree	III/3	III/2	II/2
额定电压/电流/Rated Voltage(V)/Current(A)	320/20	/	/
额定脉冲电压(KV)/Rate Impulse Voltage(KV)	4	/	/
线径范围(硬线和软线)/Wire Range(rigid and flexible)(AWG/mm ²)	22~14 / 0.2~2.5		
间距/Pitch(mm)/线数范围/ Poles	5.00/N=02~24P		
剥线长度/Stripping length(mm)	9~10		
使用温度范围/Operating temperature(°C)	-40~+105		
符合RoHS环保要求/Conform to RoHS	Yes		

DEGSON MATERIAL: SURFACE/COLOR: PANTONE 428C
 MAT NO./REV: - / 00 MAT STATUS: 批量

NAME: 8EDGKGB-5.0-XXP-11-1001A&Z(H)

APPD: 蓝美凡	2022.12.09	DRAWING NO.	TYPE	DRAWING STATUS	SCALE	SHEET
CHKD: 曹利彬	2022.12.09	200123100	CUSTOMER DRAWING	已发布	2:1	1/1
DRFT: 姜民洁	2022.12.09					

REV	ECN	DESCRIPTION	DRFT	DATE
00				

Transfer or duplication of this document as well as the utilization of its contents in any form without the written permission of DEGSON is prohibited. All rights reserved for patent. 本文件及其中所载之内容之复制或在本文件所载内容之基础上进行任何形式之再复制或再生产均须经DEGSON公司书面许可。未经许可擅自复制或再生产者，DEGSON公司将依法追究其法律责任。 版权所有，侵权必究。